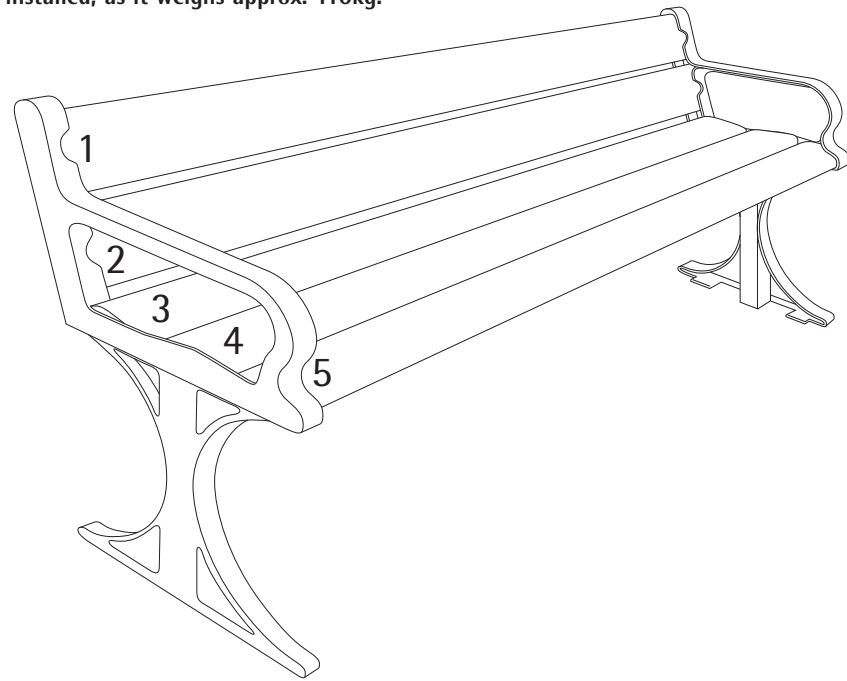


INSTALLATION INSTRUCTIONS CENTENARY SEAT

DOC REF: 405 ISSUE 01

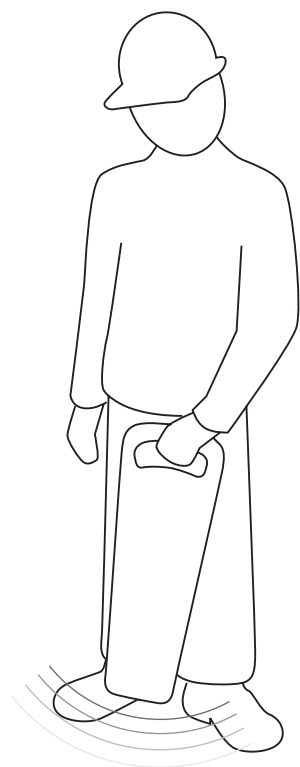
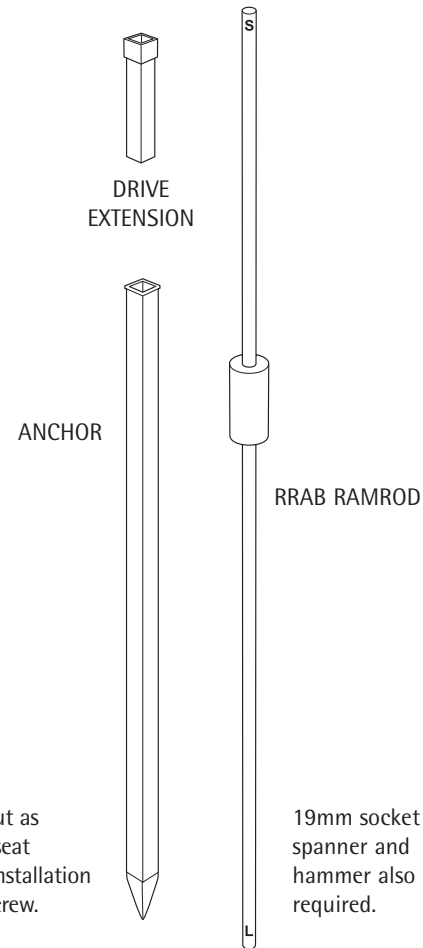
Make sure the seat is assembled close to where it is to be installed, as it weighs approx. 110kg.



SEAT ASSEMBLY

Assemble the seat using boards 1, 2, 3 and 5 only at this stage. NOTE: boards 1 and 2 use Sleevelocks and 50mm long coachbolts. Boards 3, 4 and 5 use 75mm long coachbolts and nuts.

The Sleevelock is fitted using the bolt and nut as shown in step 6. When assembling into the seat tighten the Sleevelock fully. To remove the installation bolt loosen the nut and the bolt should unscrew.



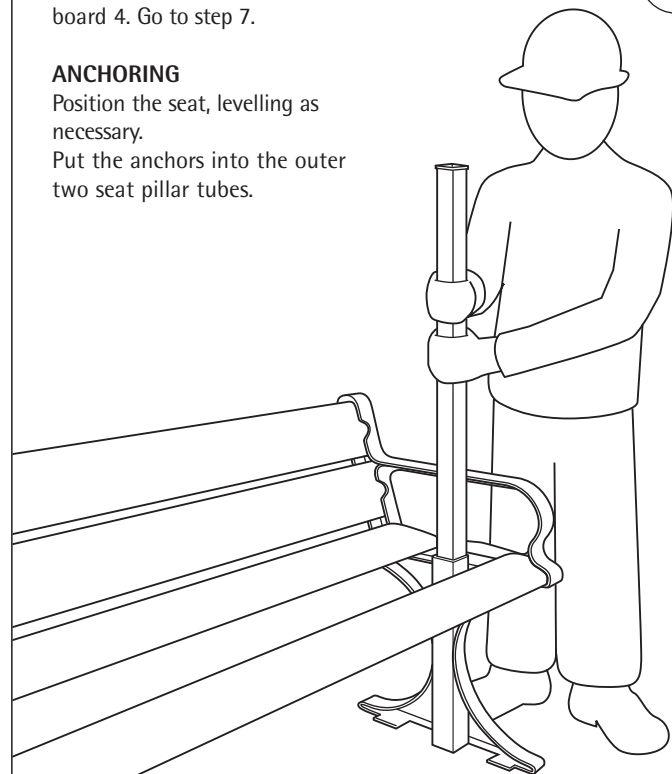
Always check for buried services

1

If the seat is not anchored fit board 4. Go to step 7.

ANCHORING

Position the seat, levelling as necessary. Put the anchors into the outer two seat pillar tubes.

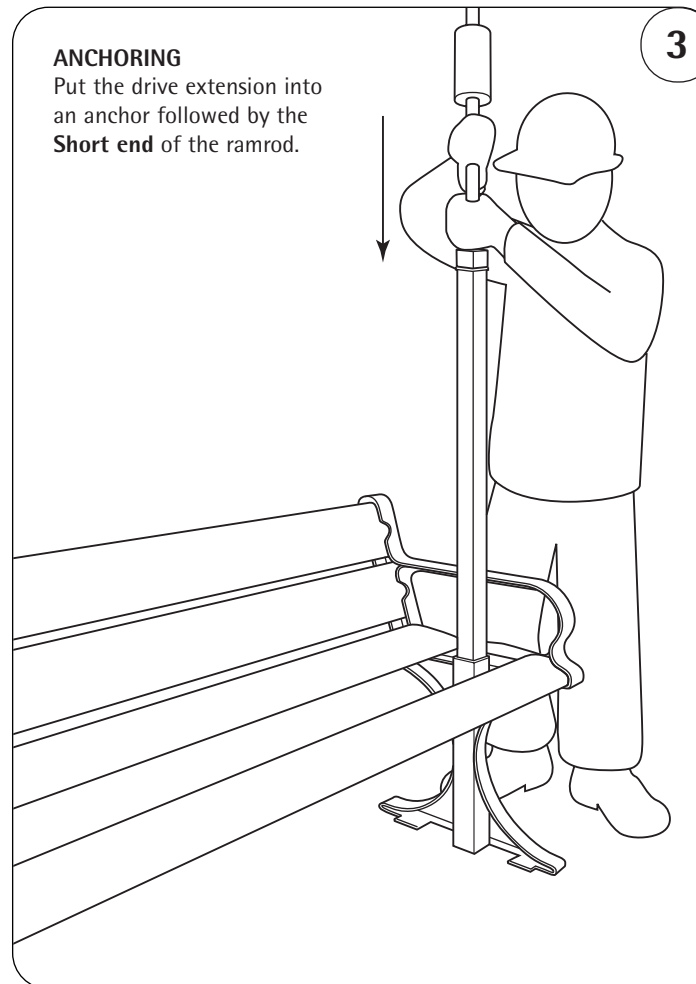


Insert anchors into the outer frame pillar tubes

2

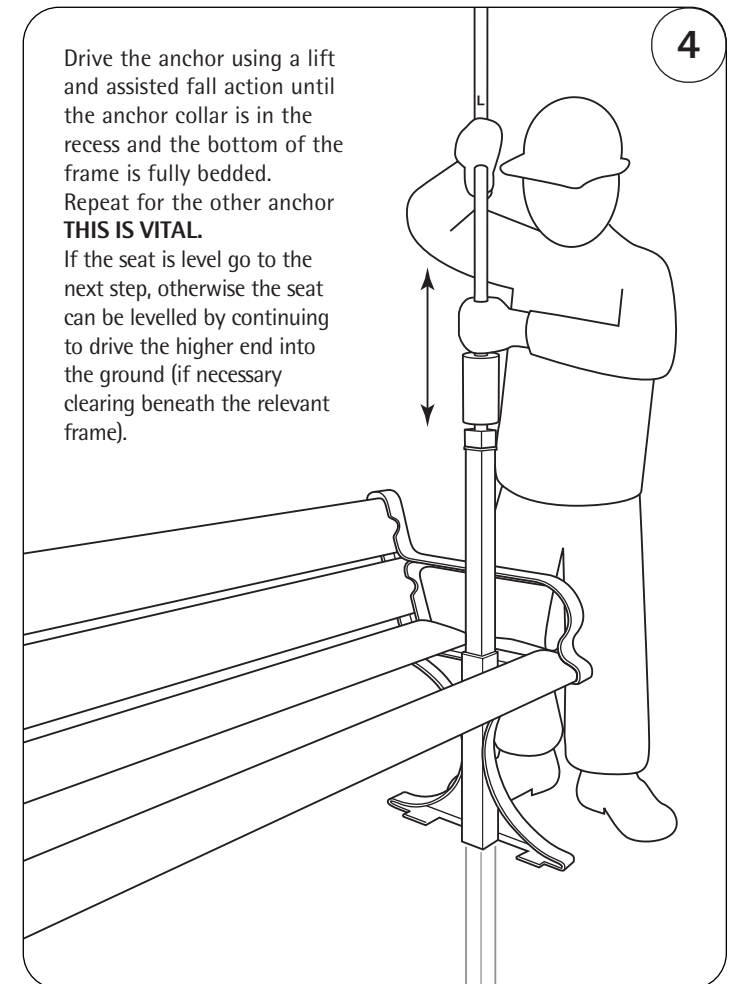
ANCHORING

Put the drive extension into an anchor followed by the Short end of the ramrod.



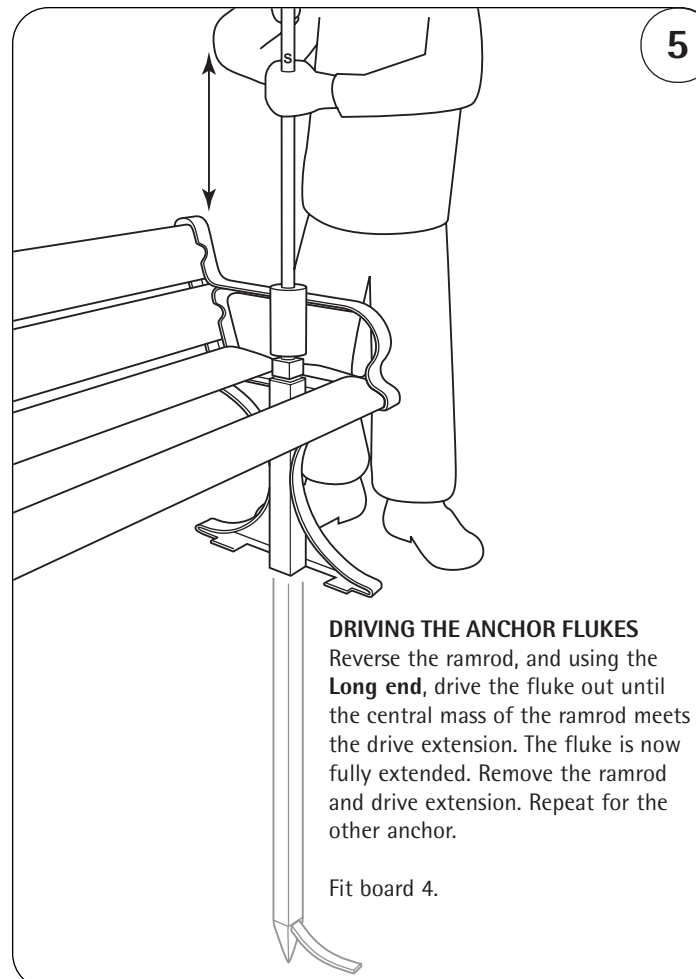
3

Drive the anchor using a lift and assisted fall action until the anchor collar is in the recess and the bottom of the frame is fully bedded. Repeat for the other anchor **THIS IS VITAL**. If the seat is level go to the next step, otherwise the seat can be levelled by continuing to drive the higher end into the ground (if necessary clearing beneath the relevant frame).



4

5

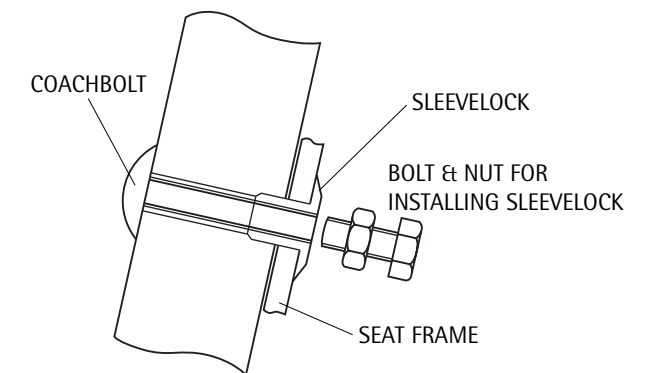


DRIVING THE ANCHOR FLUKES

Reverse the ramrod, and using the Long end, drive the fluke out until the central mass of the ramrod meets the drive extension. The fluke is now fully extended. Remove the ramrod and drive extension. Repeat for the other anchor.

Fit board 4.

SLEEVELOCK



6

SECURITY

For added security the 6no bolts, without sleeve locks, can be peened over with a hammer.

7



Earth Anchors Ltd
15 Campbell Road, Croydon, Surrey CR0 2SQ, United Kingdom.
Tel: 020 8684 9601 Fax: 020 8684 2230
www.earth-anchors.com