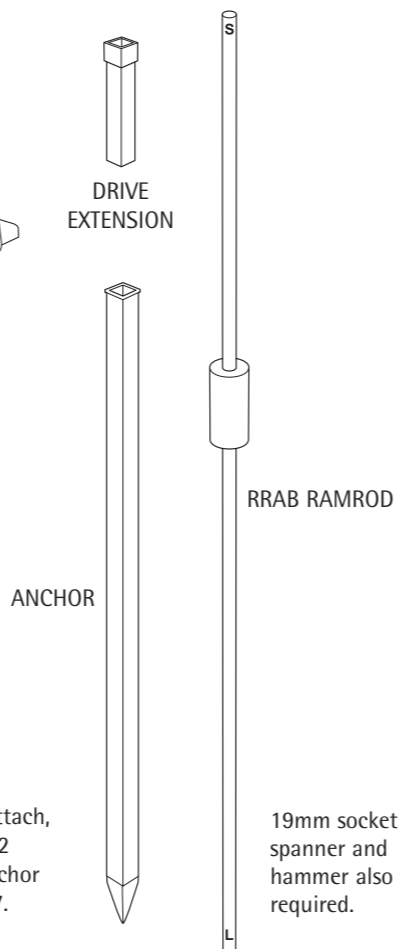
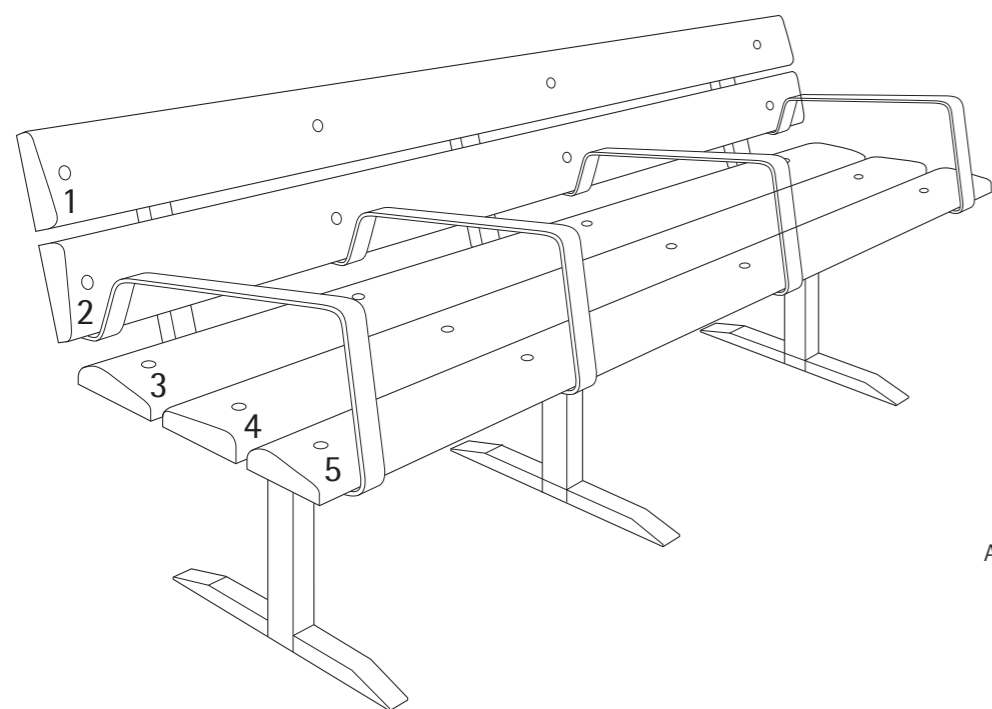


INSTALLATION INSTRUCTIONS FOREST-SAVER SEAT WITH ARMRESTS

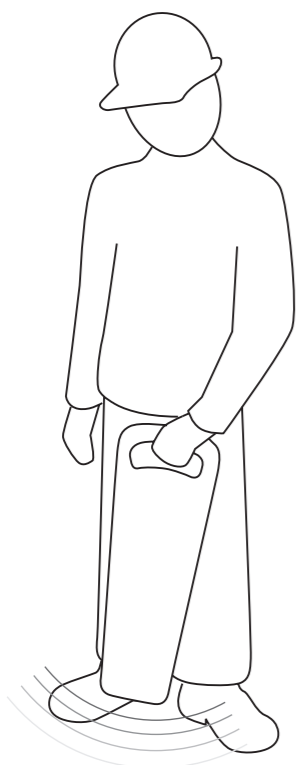
DOC REF: 427 ISSUE 01



SEAT ASSEMBLY
Assemble the seat using boards 1 and 2 using SleeveLocks and 50mm long coachbolts. Attach the armrests to the back boards 1 and 2 using M12 coachbolts (see step 6, Fig 1).

Slide board 5 in through the arm rests and attach, with the thinner edge at the front, using M12 coachbolts (see step 6, Fig 2). If not using anchor then also attach boards 3 and 4. Go to step 7.

19mm socket spanner and hammer also required.

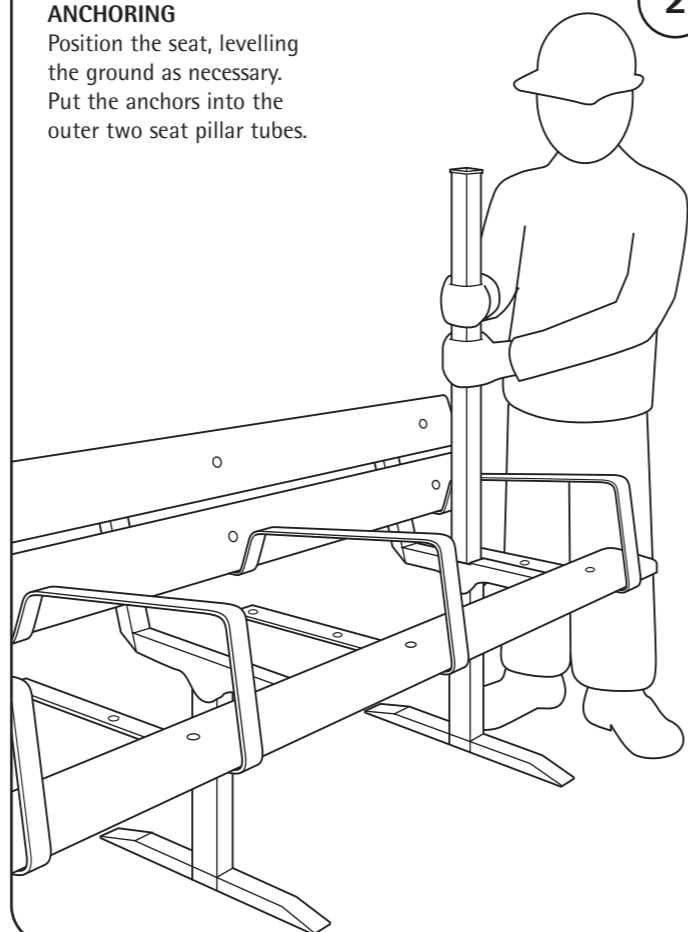


Always check for buried services

1

ANCHORING

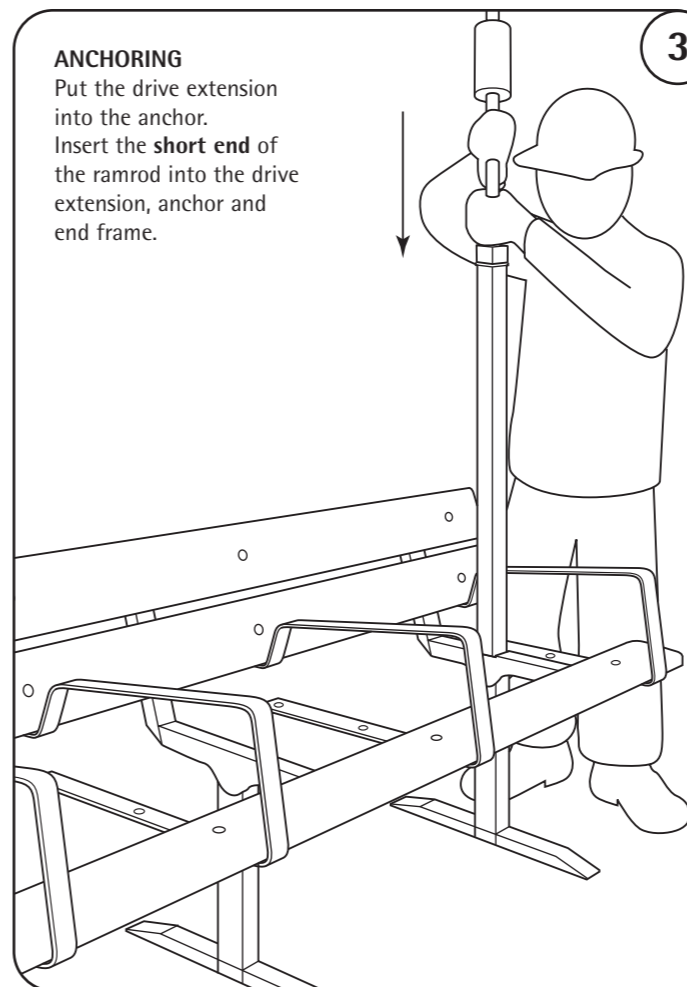
Position the seat, levelling the ground as necessary. Put the anchors into the outer two seat pillar tubes.



2

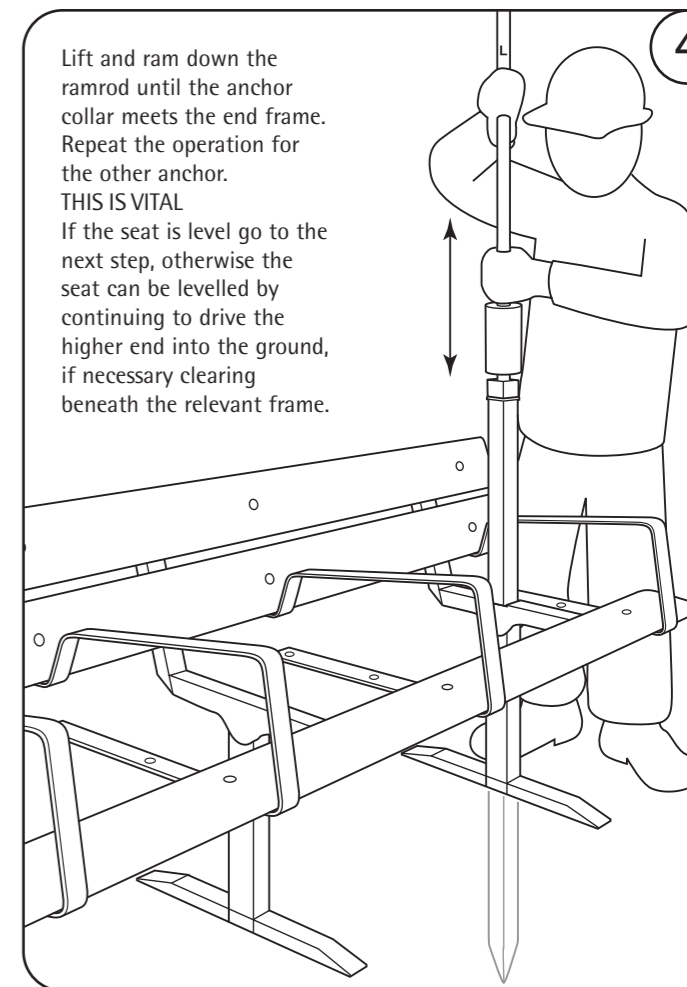
ANCHORING

Put the drive extension into the anchor. Insert the **short end** of the ramrod into the drive extension, anchor and end frame.



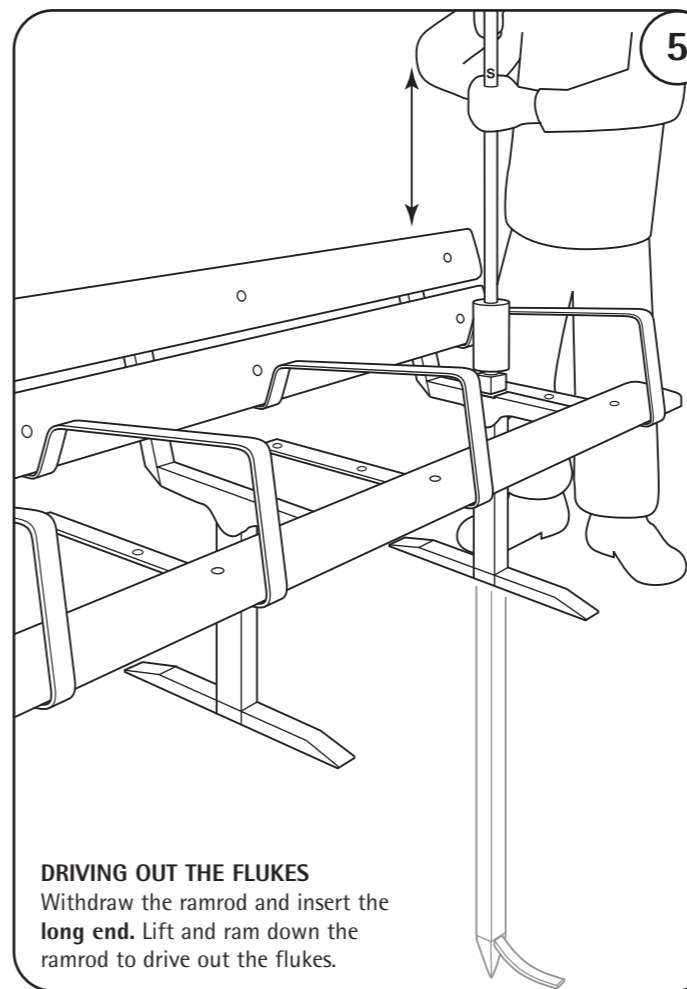
3

Lift and ram down the ramrod until the anchor collar meets the end frame. Repeat the operation for the other anchor. **THIS IS VITAL** If the seat is level go to the next step, otherwise the seat can be levelled by continuing to drive the higher end into the ground, if necessary clearing frame beneath the relevant frame.

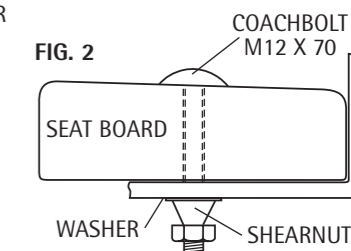
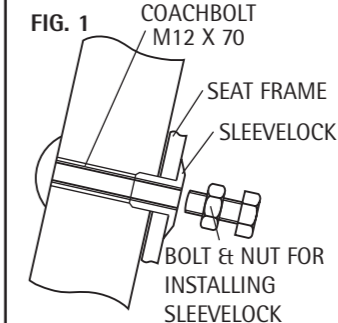


4

5



DRIVING OUT THE FLUKES
Withdraw the ramrod and insert the **long end**. Lift and ram down the ramrod to drive out the flukes.



ASSEMBLY OF THE BOARDS
Fit the boards with the thinner edges in the centre, using M12 x 70 coachbolt, washer and shearnut. See Fig. 2.

Carefully tighten the shearnuts remembering that the plastic may compress. If so do not tighten anymore, but tap the hexagon until it fractures.

Caution: Shearing of the nuts can usually be sensed but we advise the wearing of gloves during tightening of nuts to prevent possible skinning of knuckles.

SECURITY
For added security the 6no bolts, without sleeveLocks, can be peened over with a hammer.

7



Earth Anchors Ltd
15 Campbell Road, Croydon, Surrey CR0 2SQ, United Kingdom.
Tel: 020 8684 9601 Fax: 020 8684 2230
www.earth-anchors.com