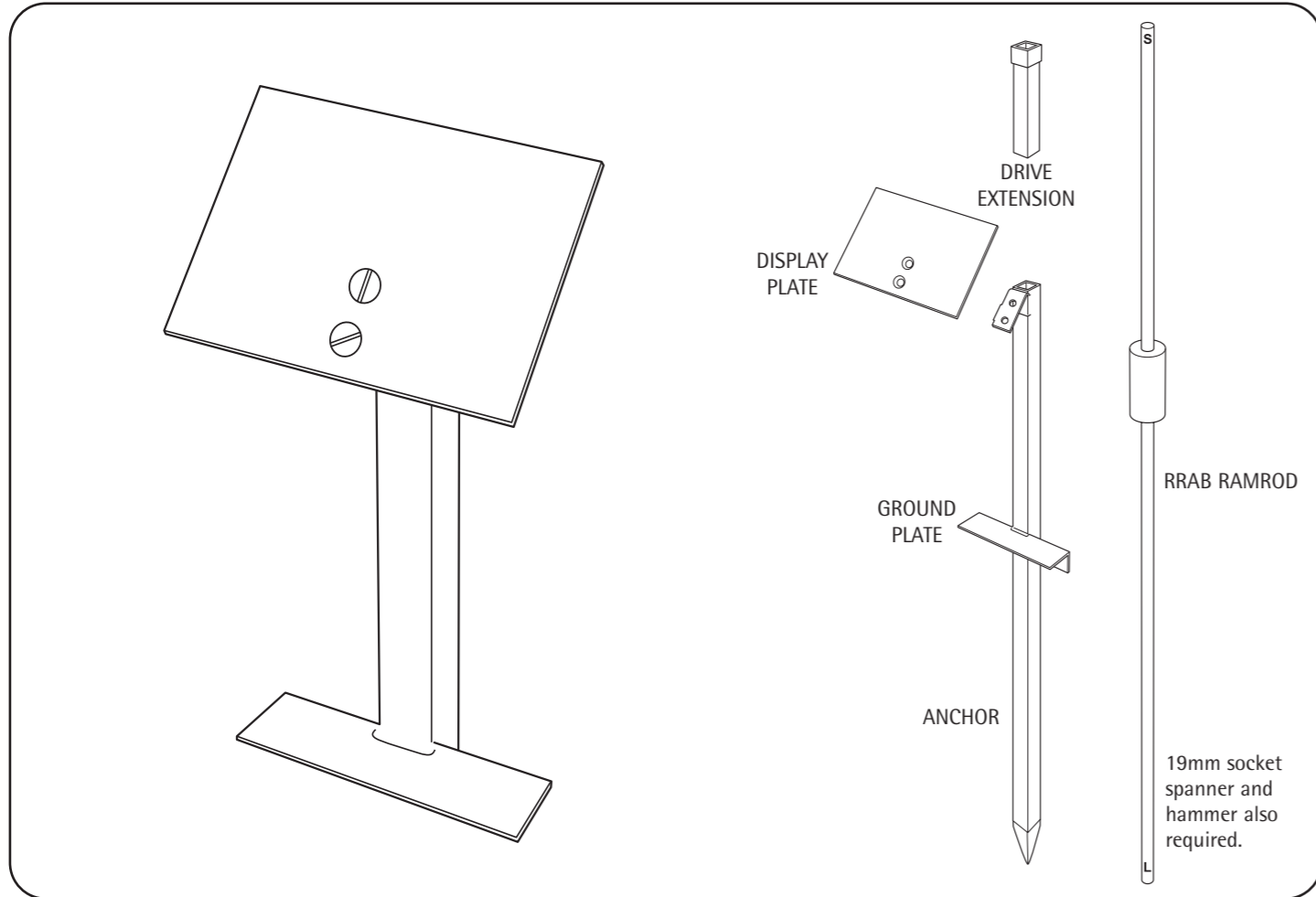


INSTALLATION INSTRUCTIONS ANCHORED DISPLAY PLATE

DOC REF: 422 ISSUE 01



1

Always check for buried services

2

Fit the drive extension into anchor and insert the **short end** of the ramrod.

3

ANCHORING
Lift and ram down the ramrod until the ground plate rests firmly in the ground.

4

Withdraw the ramrod and insert the **long end**.

5

DRIVING OUT THE FLUKES
Lift and ram down the ramrod to drive out the flukes.

6

FINAL ASSEMBLY OF THE DISPLAY PLATE
Locate the 2 machine screws, fit the washer and tighten the halfnut. Apply the plate to the anchor, fit the shearnuts, tighten and shear off the hexagonal head.
Caution: Shearing of the nuts can usually be sensed but we advise the wearing of gloves during tightening of nuts to prevent possible skinning of knuckles. prevent possible skinning of knuckles.