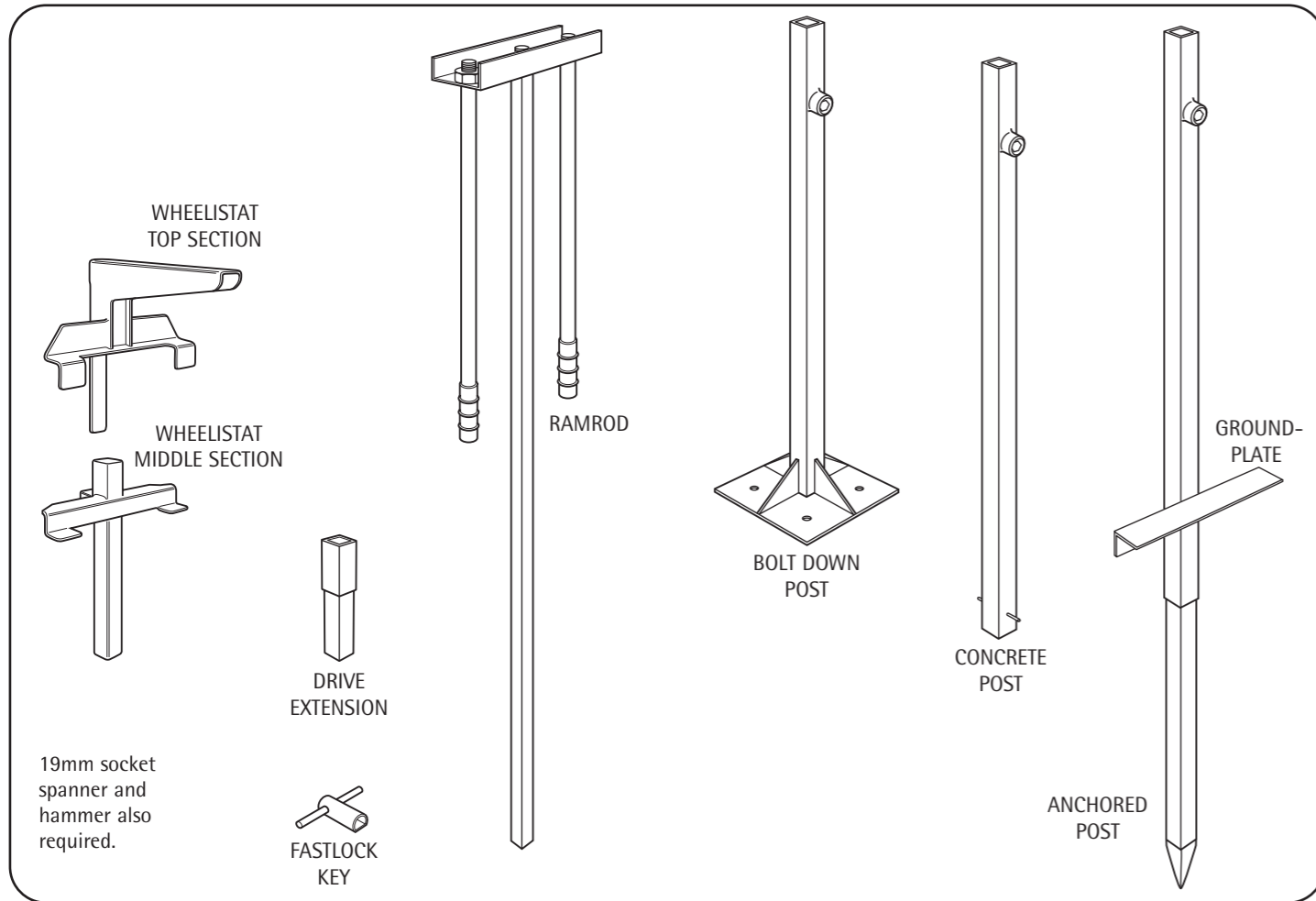


INSTALLATION INSTRUCTIONS WHEELISTAT

DOC REF: 423 ISSUE 01



1

Always check for buried services

2

Insert the drive extension into the anchor.
Insert the ramrod into the anchor and drive extension.

3

ANCHORING
Turn upright and position the anchor.
Important: Orientate the securing bolt (circled) towards the intended position for the wheeled bin.
Lift and ram down the ramrod until the groundplate is fully bedded into the ground. Make sure it is vertical.

4

DRIVING THE ANCHOR FLUKE
Remove ramrod and drive extension. Replace the ramrod only and drive the fluke out. Remove the ramrod.

5

FITTING MIDDLE SECTION
Slide Wheelistat middle section into the anchored post. Offer up the wheeled bin to set the height and tighten the securing bolt on the anchored post (circled).

6

FITTING TOP SECTION
Remove the cap head screw and slide the top section onto the middle section as shown. Replace the cap head screw. Use the fastlock key to clamp the wheeled bin in place (circled). Fitting of Wheelistat middle section and top section is the same for bolt down and setting into concrete posts.