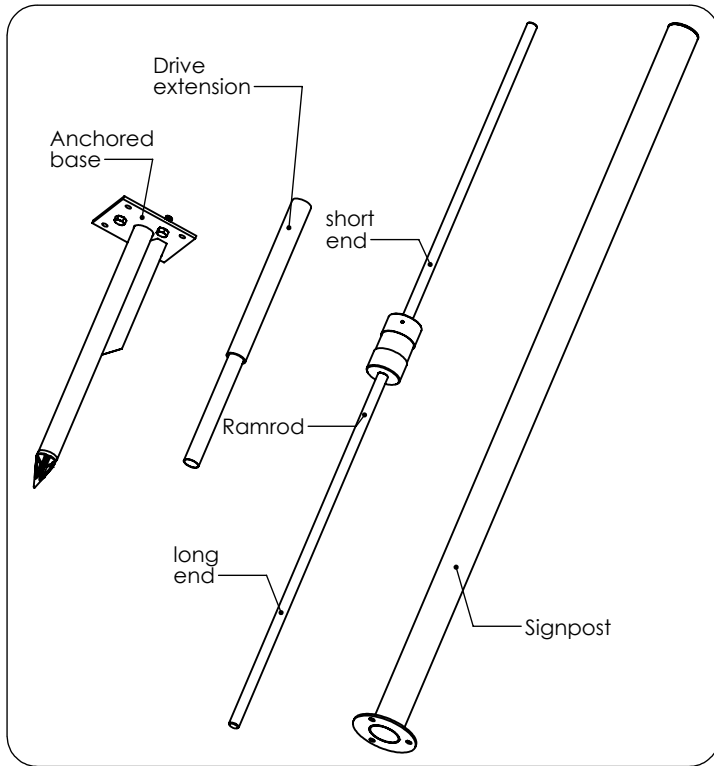


Installation instructions AB Signpost

DOC REF: 435 issue01



1

Anchoring
Insert the drive extension into the anchor. Insert the short end of the ramrod into the anchor through the drive extension.

Turn the assembly upright and position where it is required. Lift and ram down the ramrod until the top plate of the anchor is fully bedded on the ground.

2

Driving the anchor fluke
Reverse the ramrod and insert the long end. Lift and ram down the ramrod to drive out the fluke under the ground.

3

Locating the signpost
Locate the signpost over the three bolts in the baseplate of the anchor. Use a post level to ensure the signpost is vertical. Additional washers can be used to level the signpost.

4

Final assembly of Signpost
Once signpost is in position fit a washer followed by a shearnut onto each bolt. Shear the hexagon heads off the shearnuts.

Caution: Shearing off the hexagon heads on the shearnuts can usually be sensed but we advise the wearing of gloves during tightening of nuts to prevent possible skinning of knuckles.



Earth Anchors Ltd
15 Campbell Road Croydon CR0 2SQ
Tel: 020 8684 9601 Fax: 020 8684 2230
www.earth-anchors.com

Quick and Easy Installation of the Rootfast® Anchored Post in Minutes

