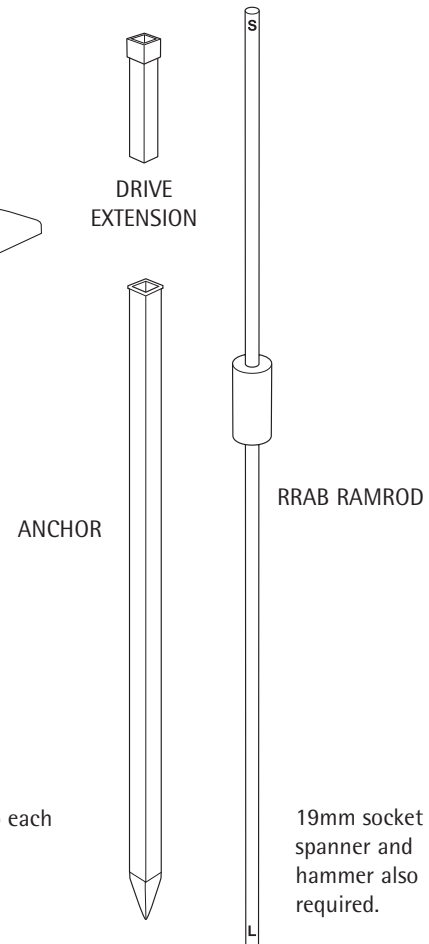
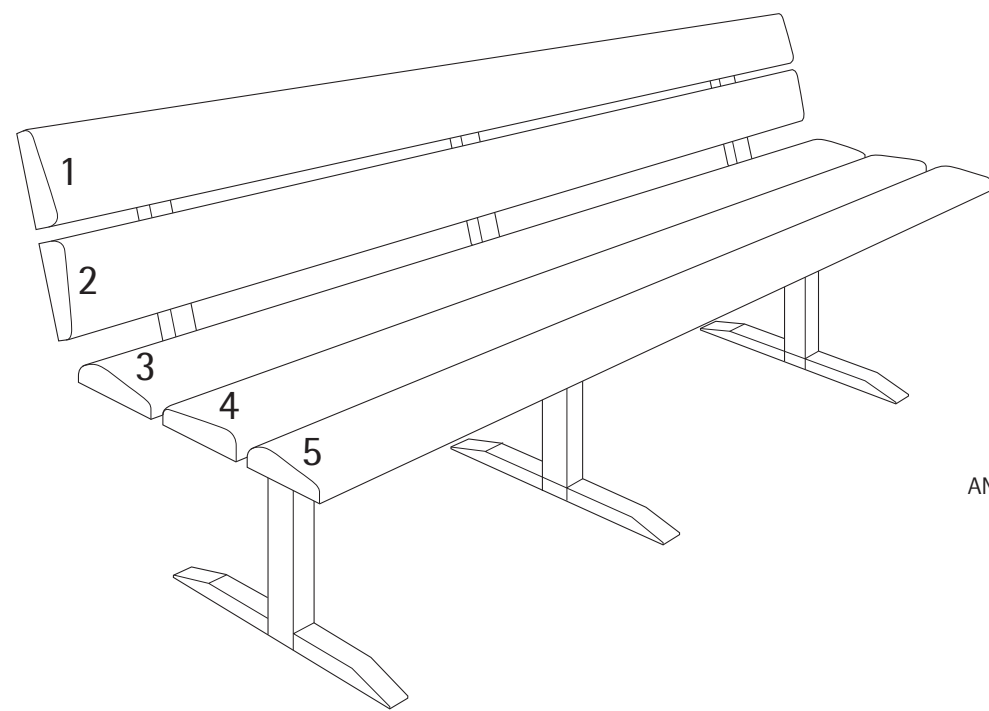


INSTALLATION INSTRUCTIONS FOREST-SAVER SEAT

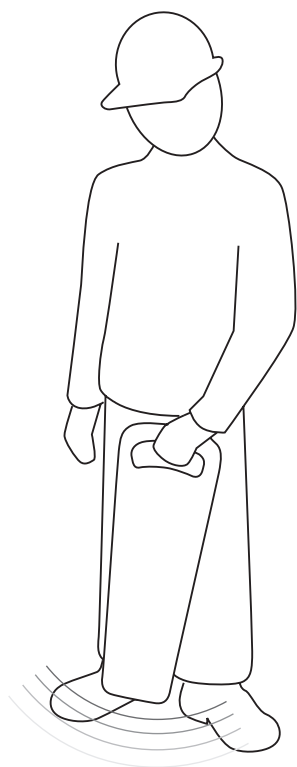
DOC REF: 402 ISSUE 01



ASSEMBLING THE SEAT

Position the 5 seat boards onto the 3 frames, orientating the boards as shown. Fit a coachbolt into each hole and tap the coachbolt head into the plastic board until fully seated. Fit a large washer and Shearnut to every bolt and wind up only enough to take up the slack, **don't tighten**. IF THE SEATS ARE NOT TO BE ANCHORED GO TO 6.

19mm socket spanner and hammer also required.



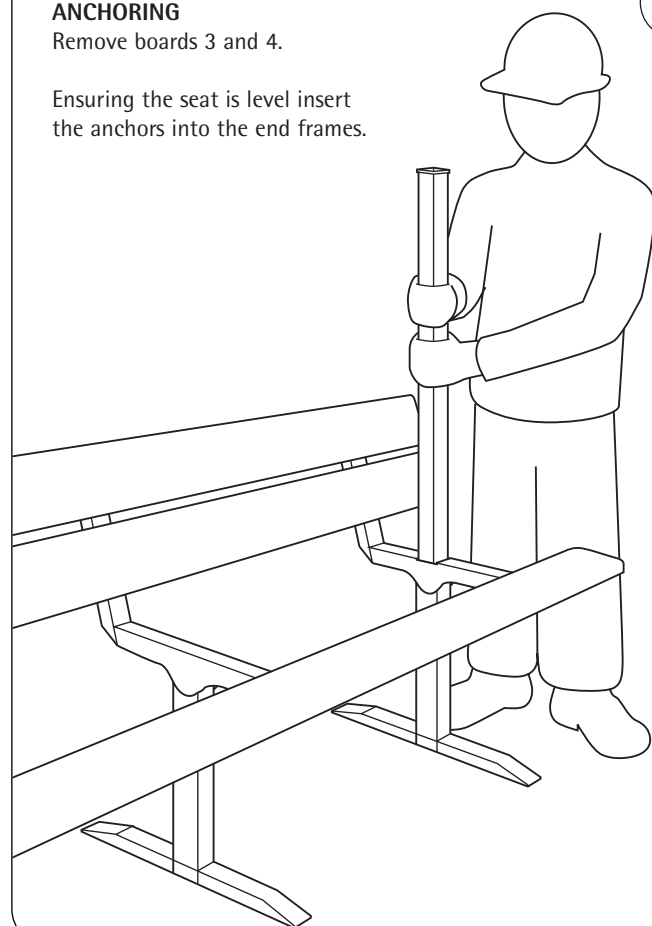
Always check for buried services

1

ANCHORING

Remove boards 3 and 4.

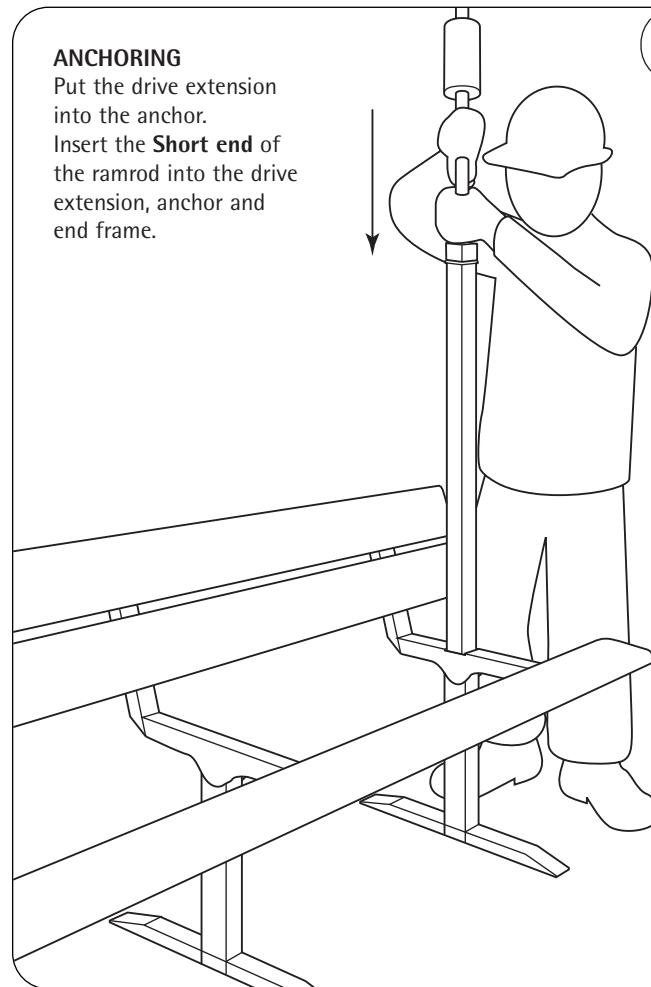
Ensuring the seat is level insert the anchors into the end frames.



2

ANCHORING

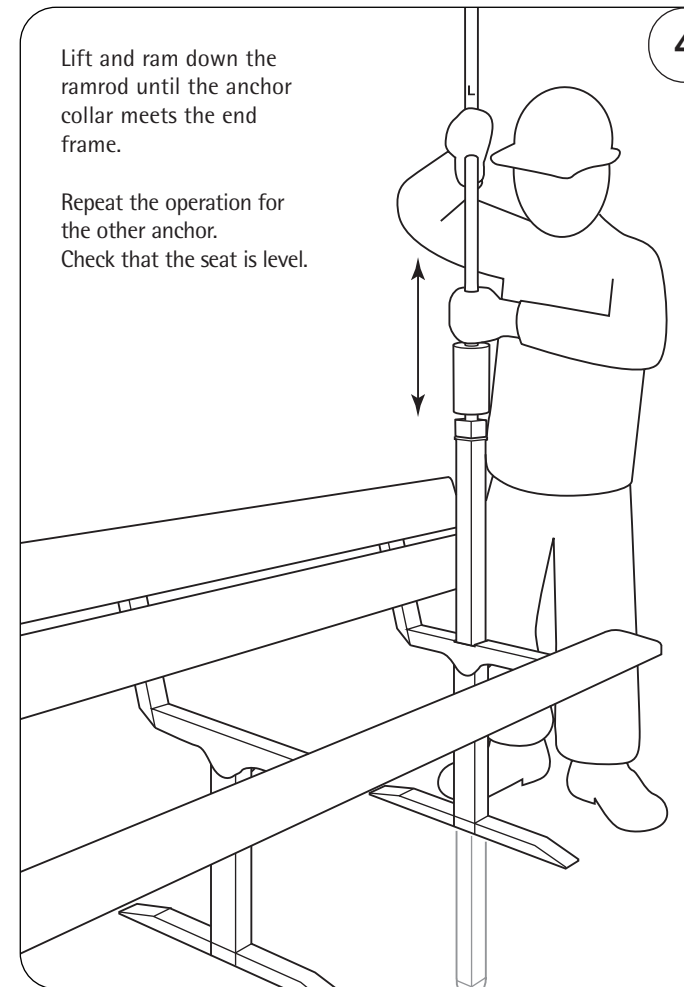
Put the drive extension into the anchor. Insert the **Short end** of the ramrod into the drive extension, anchor and end frame.



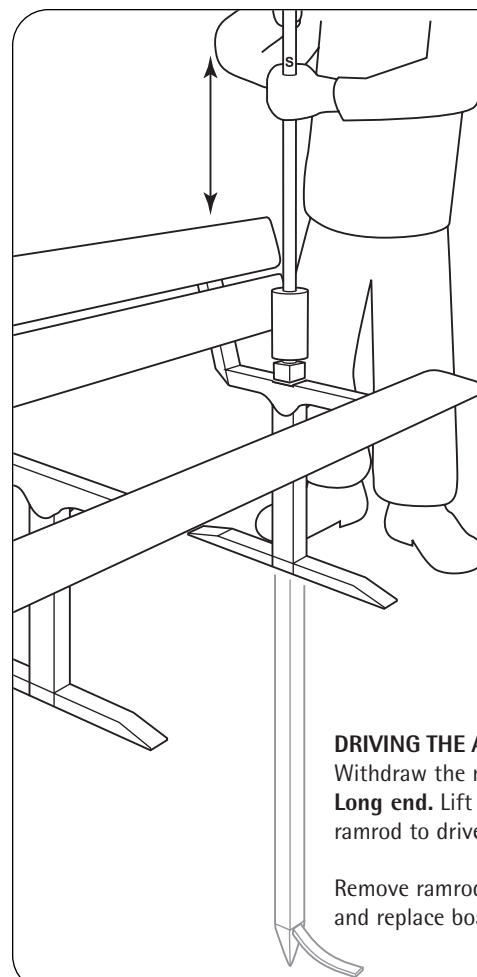
3

Lift and ram down the ramrod until the anchor collar meets the end frame.

Repeat the operation for the other anchor. Check that the seat is level.



4



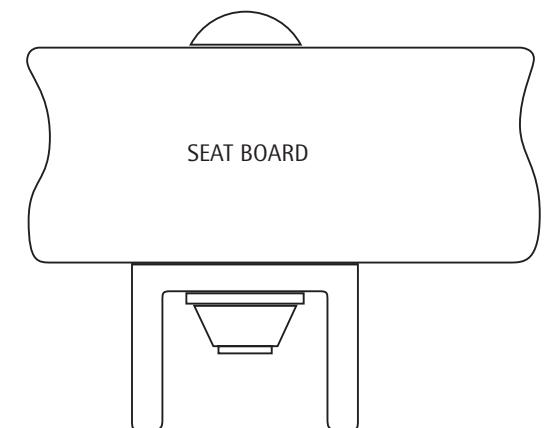
5

DRIVING THE ANCHOR FLUKES

Withdraw the ramrod and insert the **Long end**. Lift and ram down the ramrod to drive out the flukes.

Remove ramrod and drive extension and replace boards 3 and 4.

COACHBOLT & SHEARNUT FIXING



FITTING SHEARNUTS

Check the boards are parallel. Tighten the Shearnuts until the hexagons shear off.

Caution: Shearing of the nuts can usually be sensed but we advise the wearing of gloves during tightening of nuts to prevent possible skinning of knuckles.

6



Earth Anchors Ltd
15 Campbell Road, Croydon, Surrey CR0 2SQ, United Kingdom.
Tel: 020 8684 9601 Fax: 020 8684 2230
www.earth-anchors.com