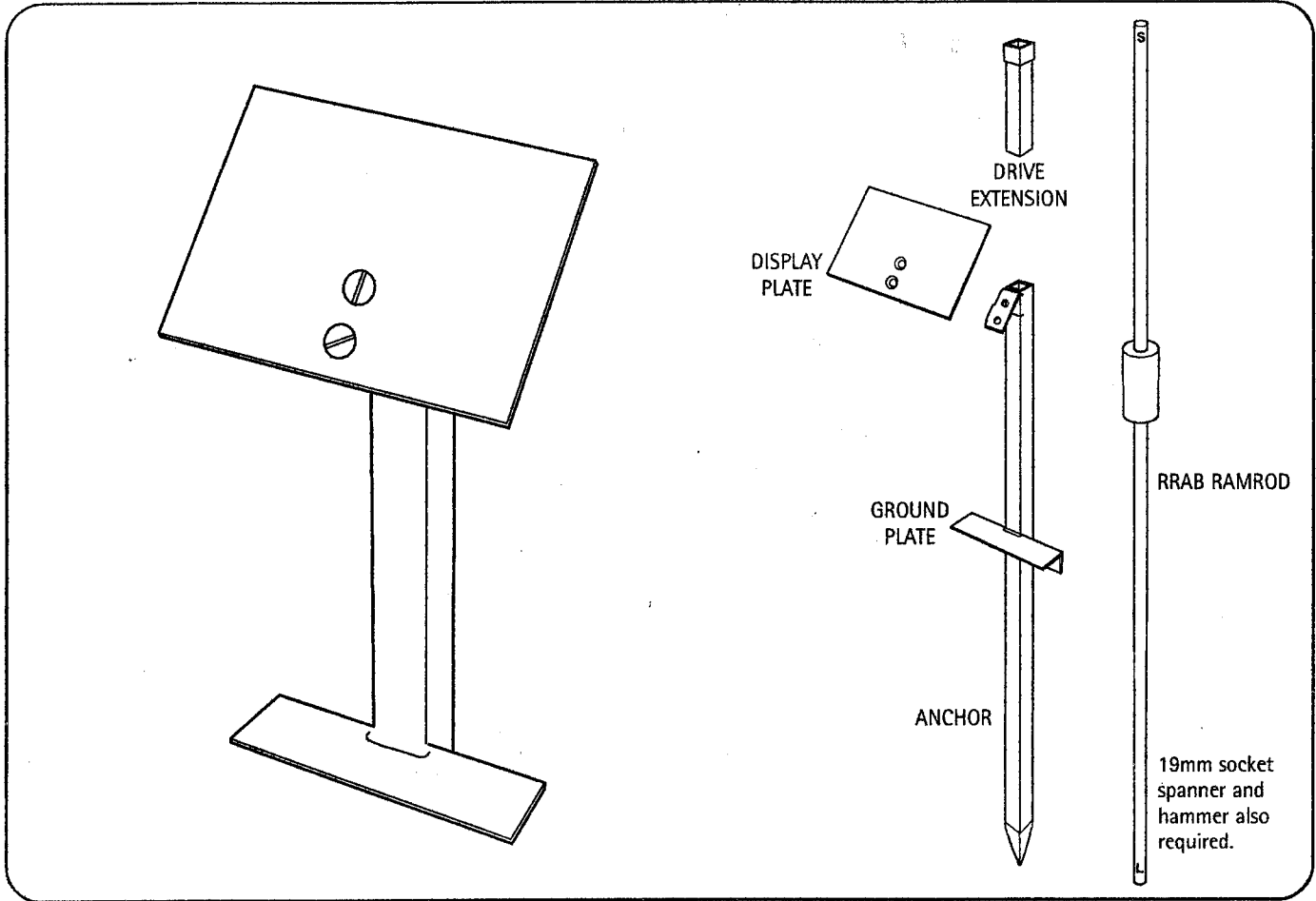
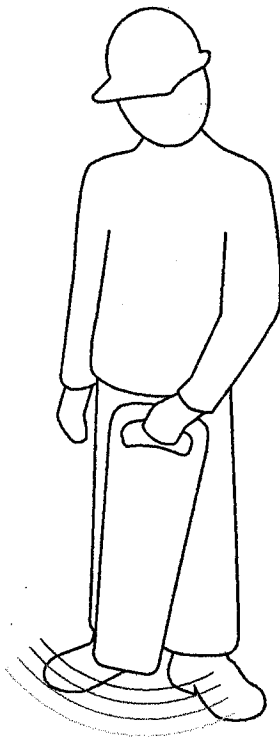


INSTALLATION INSTRUCTIONS ANCHORED DISPLAY PLATE

DOC REF: 422 ISSUE 01



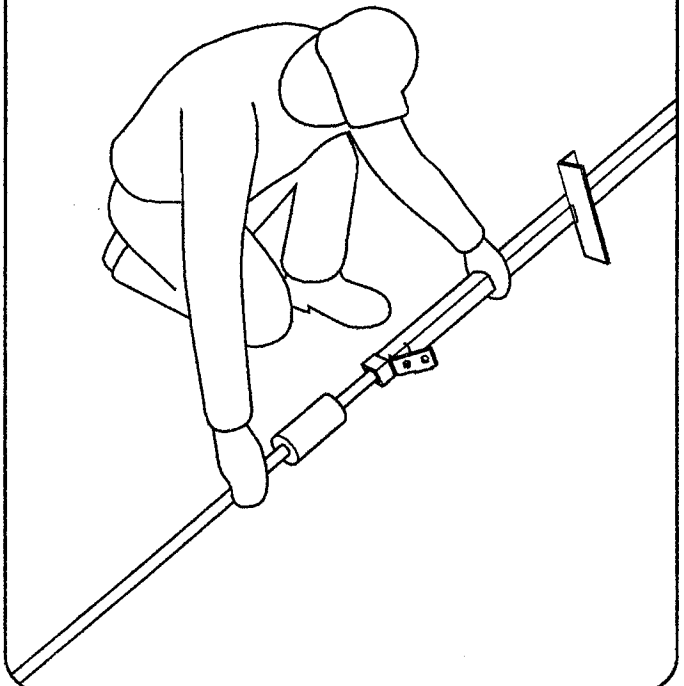
1



Always check for buried services

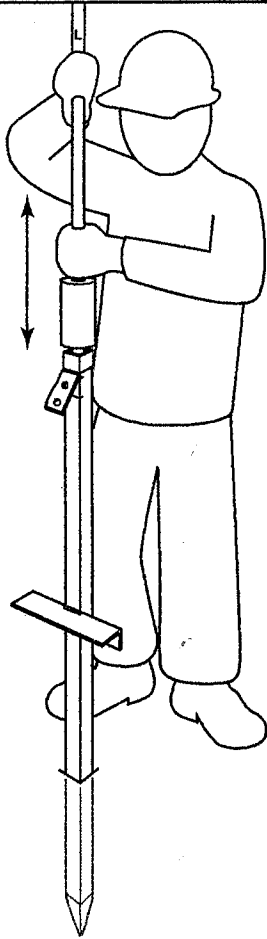
2

Fit the drive extension into anchor and insert the short end of the ramrod.



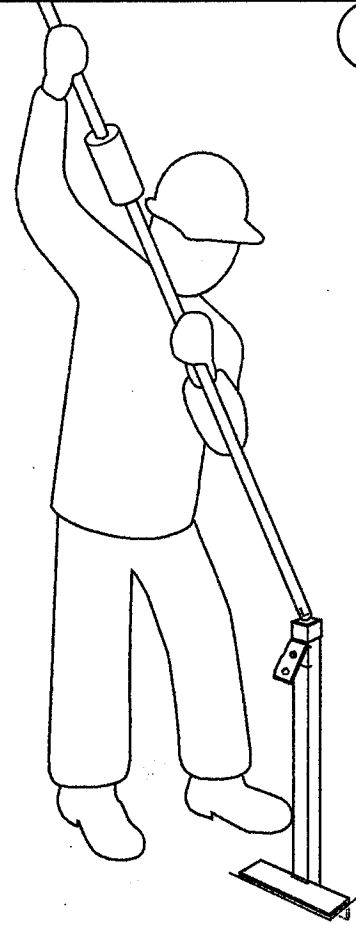
ANCHORING

Lift and ram down the ramrod until the ground plate rests firmly in the ground.

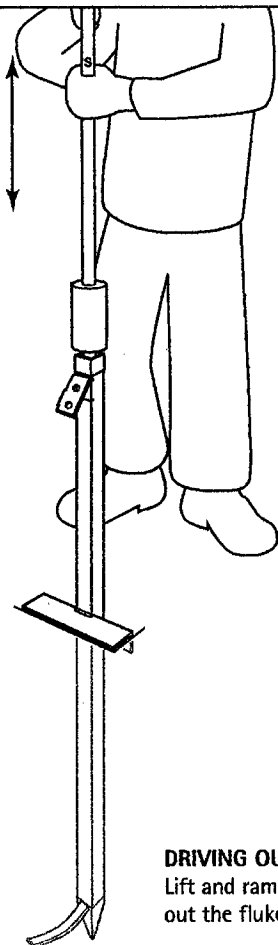


3

Withdraw the ramrod and insert the long end.



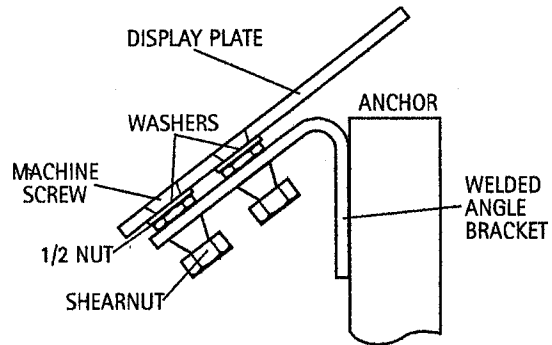
4



5

DRIVING OUT THE FLUKES

Lift and ram down the ramrod to drive out the flukes.



6

FINAL ASSEMBLY OF THE DISPLAY PLATE

Locate the 2 machine screws, fit the washer and tighten the halfnut. Apply the plate to the anchor, fit the shearnuts, tighten and shear off the hexagonal head.

Caution: Shearing of the nuts can usually be sensed but we advise the wearing of gloves during tightening of nuts to prevent possible skinning of knuckles. prevent possible skinning of knuckles.

