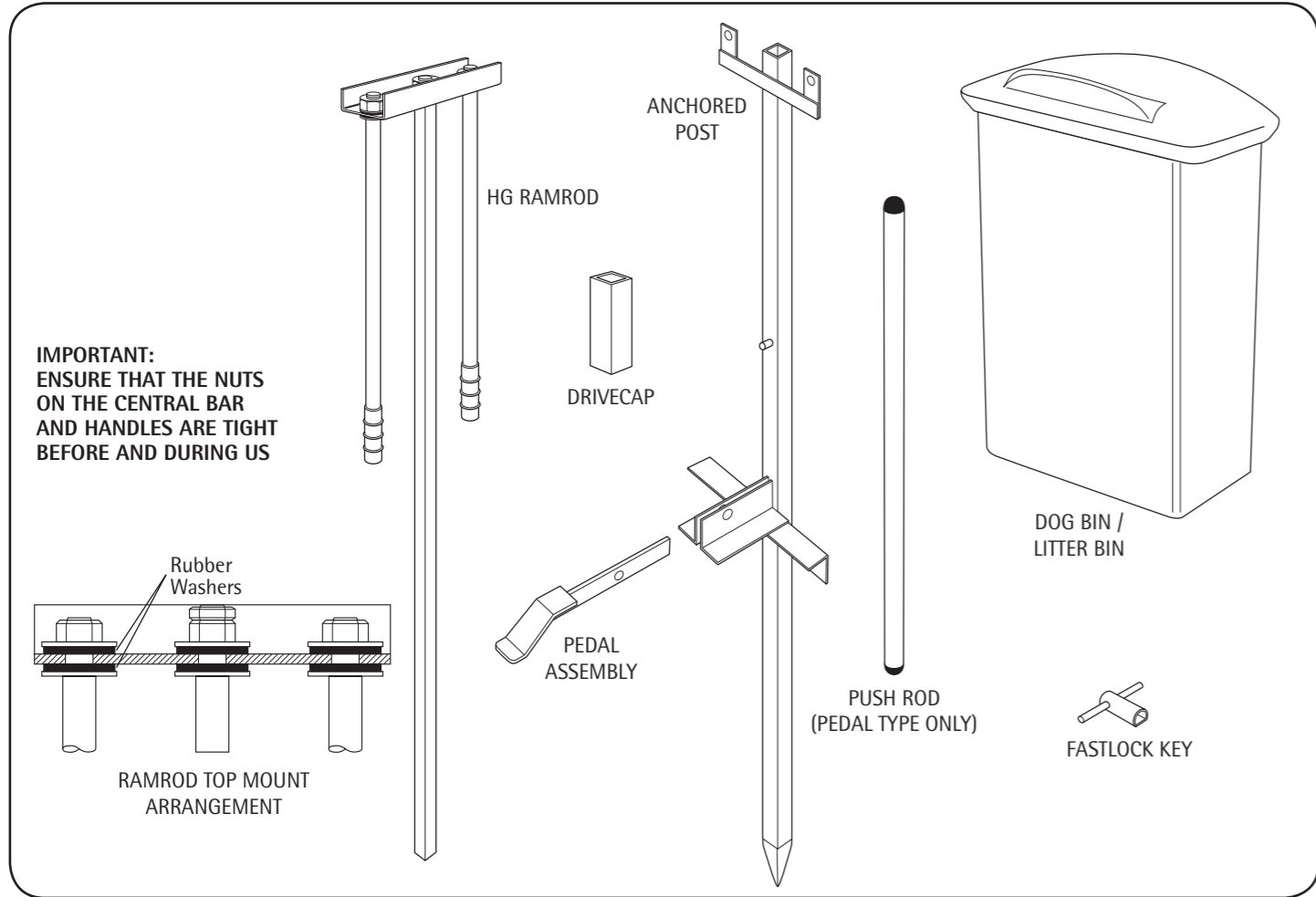


INSTALLATION INSTRUCTIONS

HEALTHGUARD® HGN45A & HGN66A DOG WASTE / LITTER BINS

DOC REF: 407 ISSUE 03



1

Always check for buried services

2

Fit drive cap to post and insert ramrod

3

Drive the ramrod until angle is fully bedded into ground. Make sure it is vertical.

4

Remove ramrod and drive cap. Replace the ramrod only and drive the fluke out. Remove the ramrod.

5

IF NON-PEDAL GO TO STEP 7

Fit the pedal and lightly tighten pedal bolt using 19mm spanner (pedal post only).

6

Drop the pushrod into the post

7

Use the Fastlock key to loosen the screw located inside the hole. Fit the bin to the post. Ensure the bottom of the bin locates on the lower mounting and the top bin pockets on post verticals.

8

Using the Fastlock key tighten the screw located inside the hole.

9

Deform the end of the thread to improve security. (pedal type only).