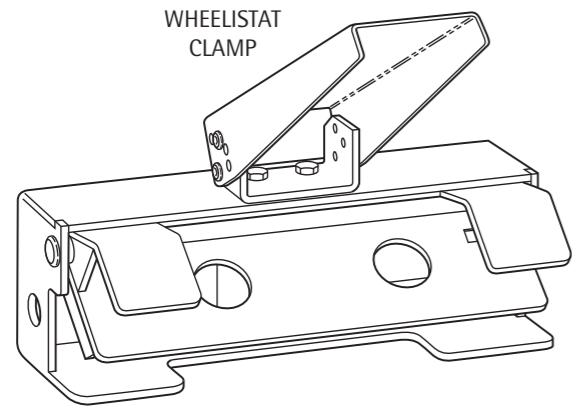


INSTALLATION INSTRUCTIONS WHEELISTAT (WALL MOUNTED)

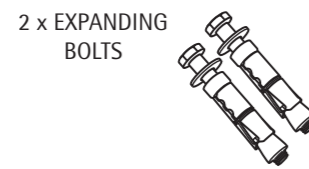
DOC REF: 505 ISSUE 01



WHEELISTAT
CLAMP



FASTLOCK
KEY

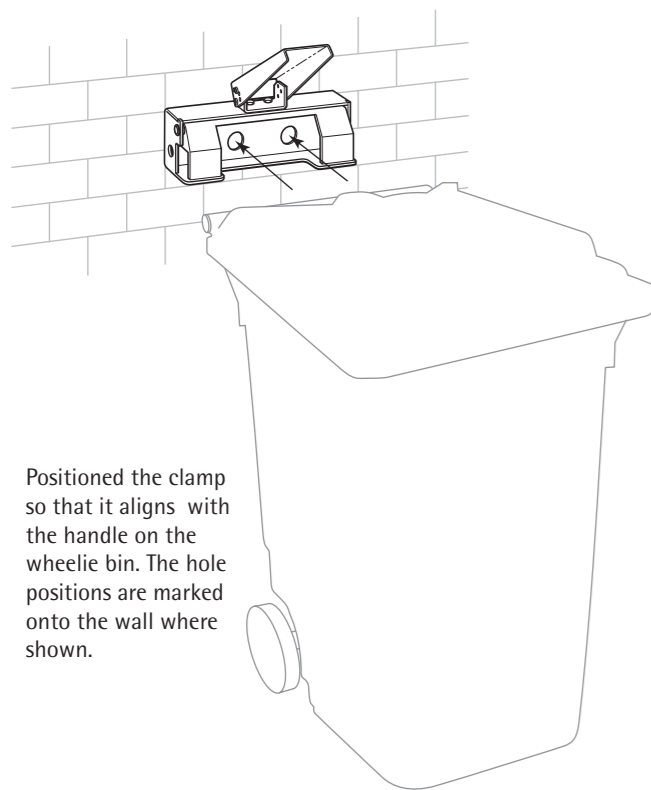


2 x EXPANDING
BOLTS

You will also require
1No, 19mm spanners,
and 20mm masonry drill.

1 INSTALLING THE CLAMP

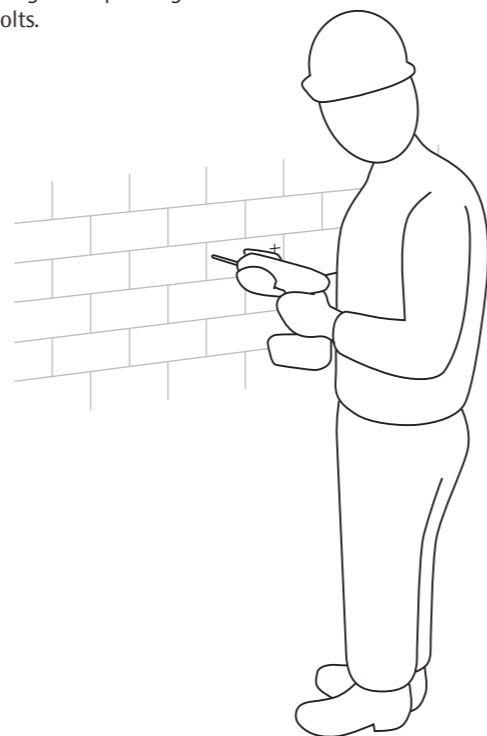
1



Positioned the clamp
so that it aligns with
the handle on the
wheelie bin. The hole
positions are marked
onto the wall where
shown.

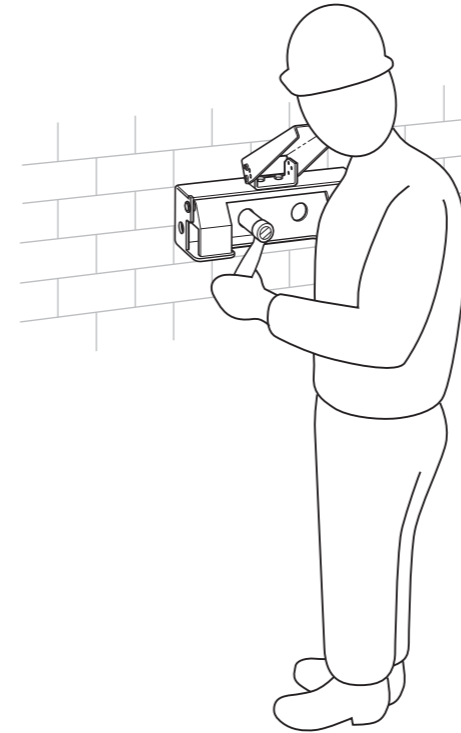
Drill 2 x 20mm holes
approximately 110mm
deep and fix the clamp
using the expanding
bolts.

2



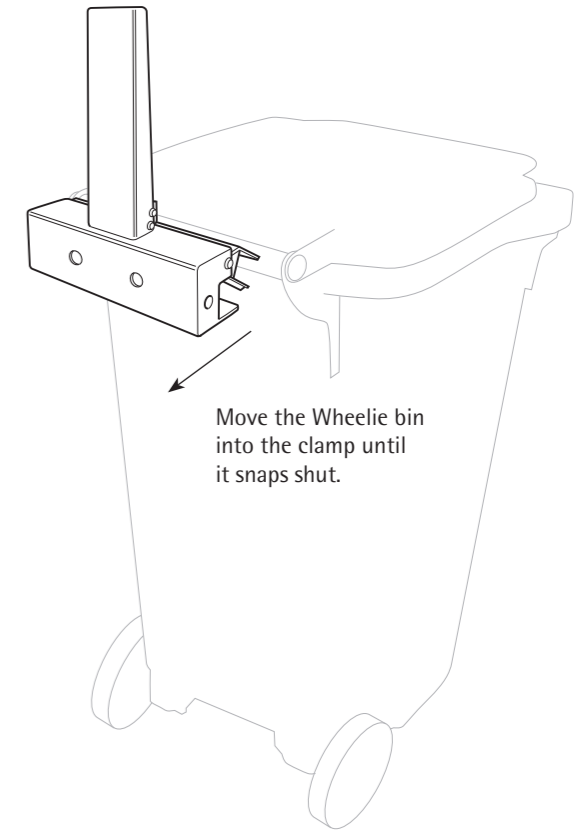
When all the bolts
are positioned, fully
tighten them.

3



4 FITTING THE CLAMP

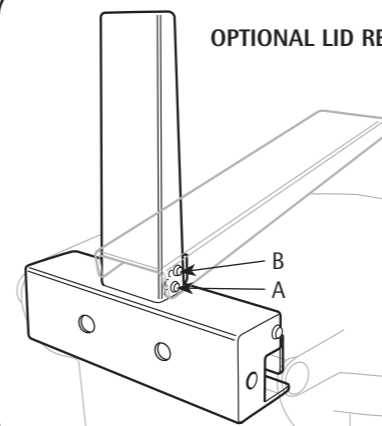
4



Move the Wheelie bin
into the clamp until
it snaps shut.

5 OPTIONAL LID RESTRICTOR

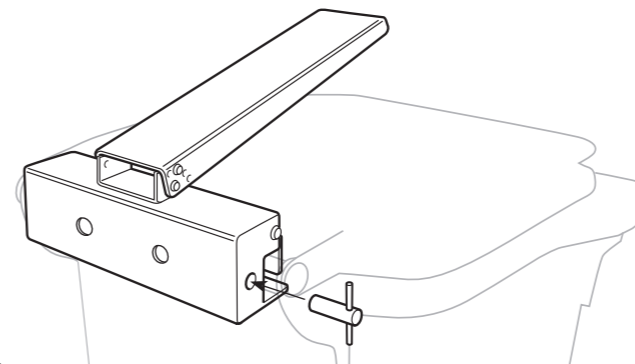
5



Loosen screw A both
sides and remove screw
B both sides. Adjust the
restrictor as required
and refit both B screws,
fully tighten all screws.

Once the Wheelistat is closed use the Fastlock key
to unlock the mechanism and release the bin.

6



Earth Anchors Ltd
15 Campbell Road, Croydon, Surrey CR0 2SQ, United Kingdom.
Tel: 020 8684 9601 Fax: 020 8684 2230
www.earth-anchors.com