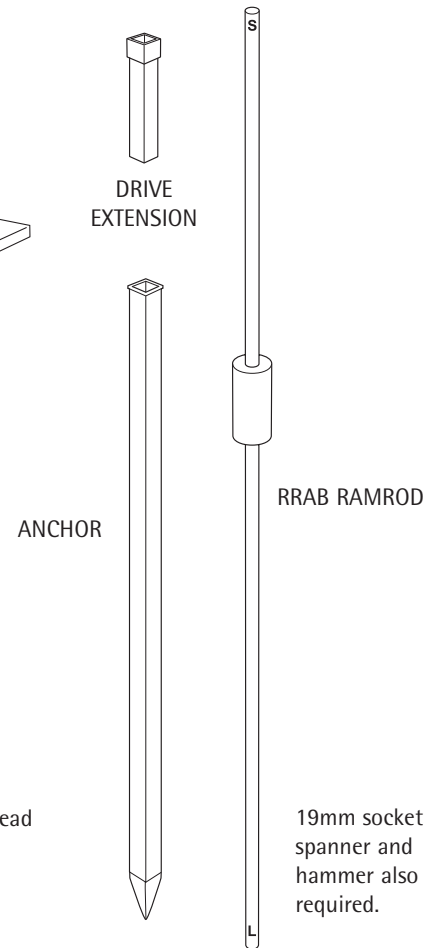
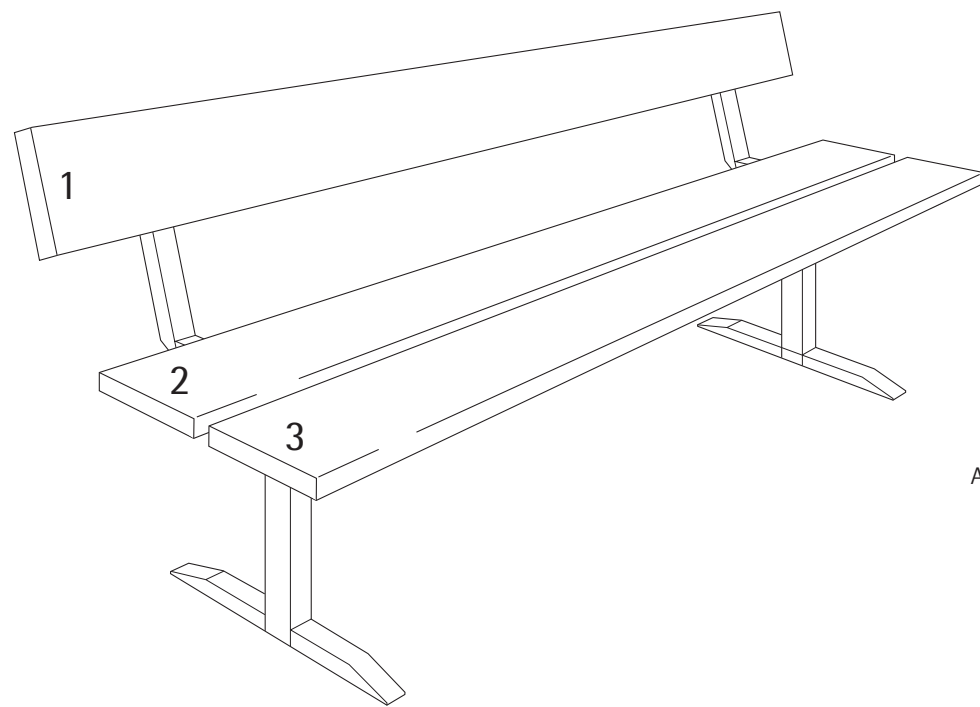


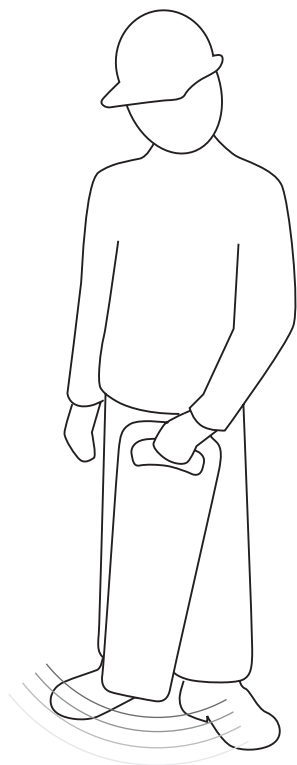
INSTALLATION INSTRUCTIONS FRIGATE SEAT

DOC REF: 401 ISSUE 01



ASSEMBLING THE SEAT

Position the 3 seat boards onto the frames. Fit a coachbolt into each hole and tap the coachbolt head into the timber board until fully seated. Fit a large washer and nut to every bolt and wind up only enough to take up the slack, **don't tighten**.
IF THE SEATS ARE NOT TO BE ANCHORED GO TO 6.



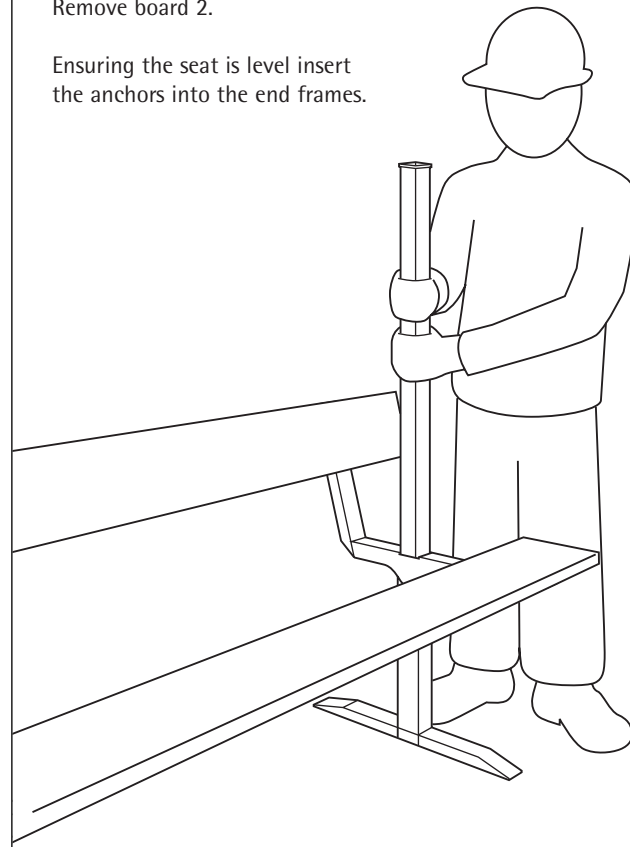
Always check for buried services

1

ANCHORING

Remove board 2.

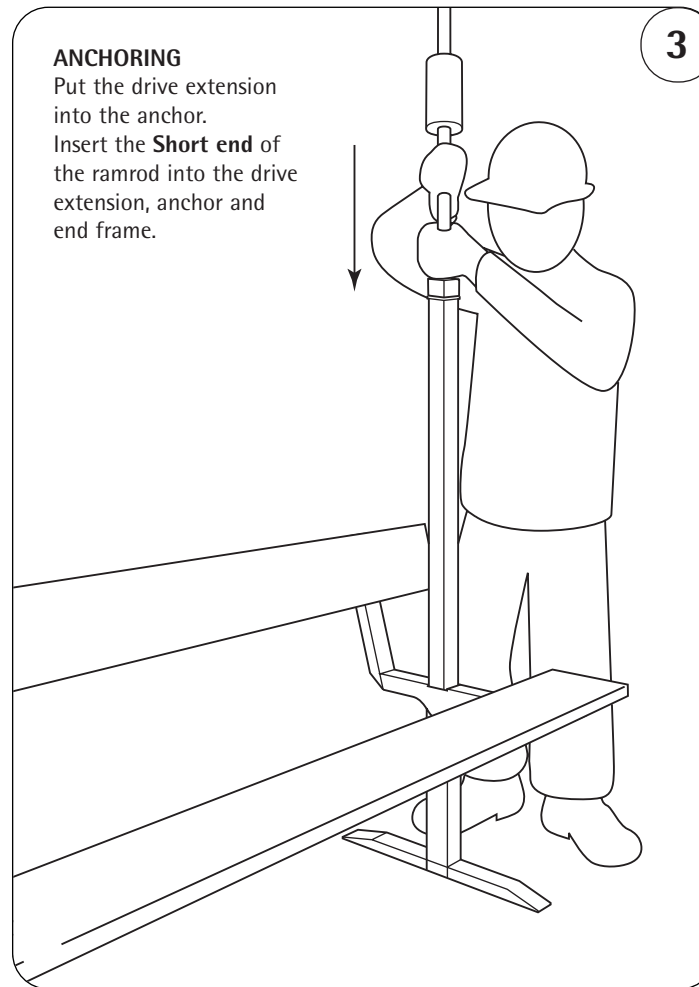
Ensuring the seat is level insert the anchors into the end frames.



2

ANCHORING

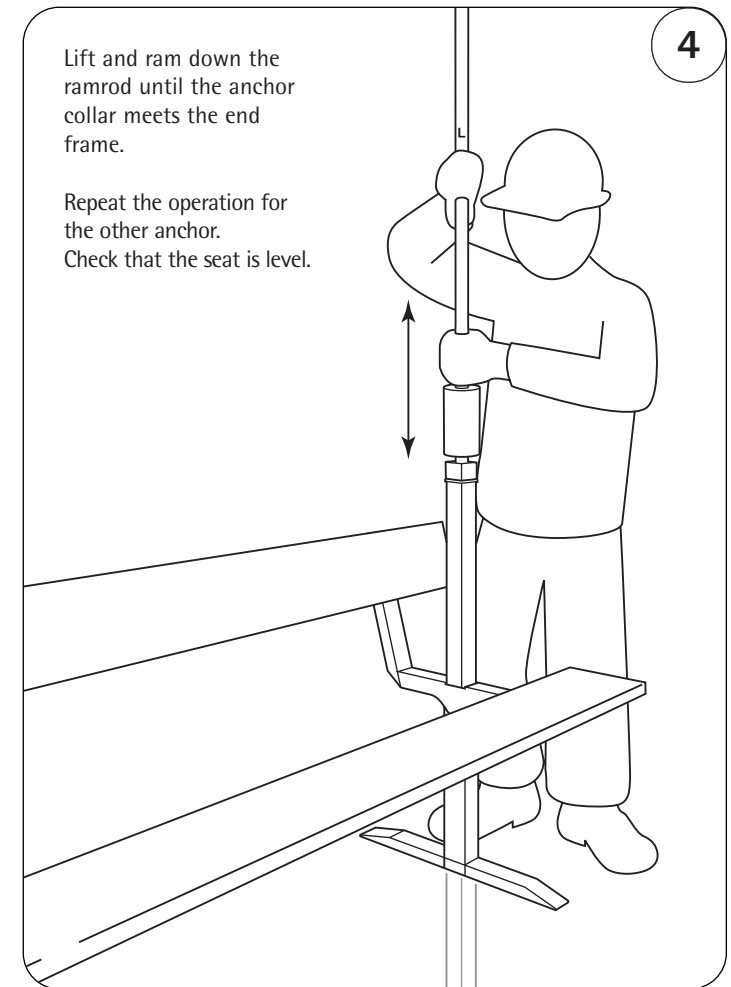
Put the drive extension into the anchor. Insert the **Short end** of the ramrod into the drive extension, anchor and end frame.



3

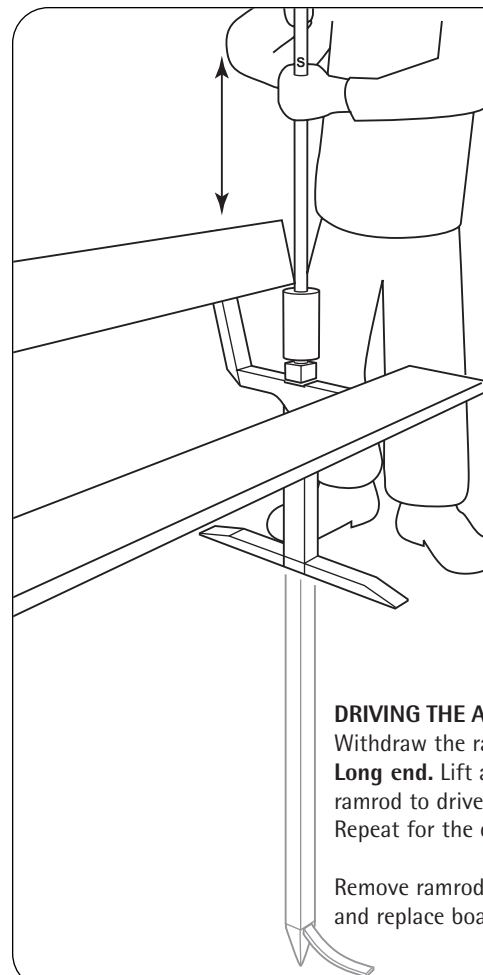
Lift and ram down the ramrod until the anchor collar meets the end frame.

Repeat the operation for the other anchor. Check that the seat is level.



4

5



DRIVING THE ANCHOR FLUKES

Withdraw the ramrod and insert the **Long end**. Lift and ram down the ramrod to drive out the flukes. Repeat for the other anchor.

Remove ramrod and drive extension and replace board 2.

SECURITY

For added security the 6no bolts can be peened over with a hammer.

6



Earth Anchors Ltd
15 Campbell Road, Croydon, Surrey CR0 2SQ, United Kingdom.
Tel: 020 8684 9601 Fax: 020 8684 2230
www.earth-anchors.com