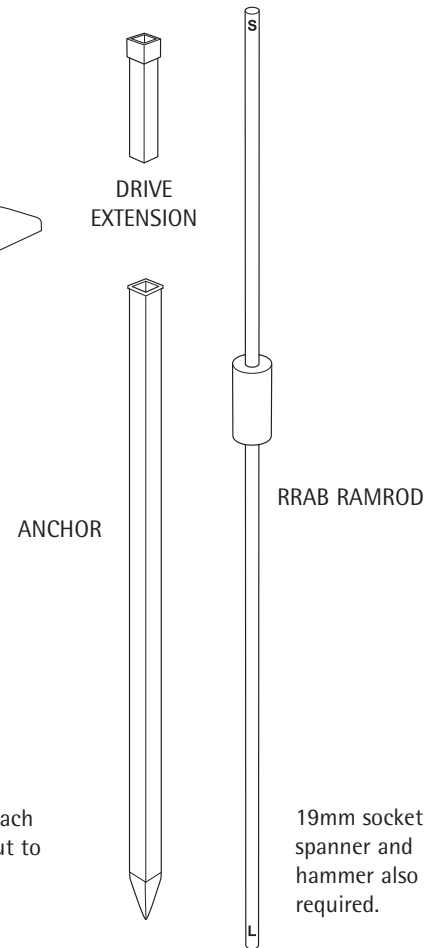
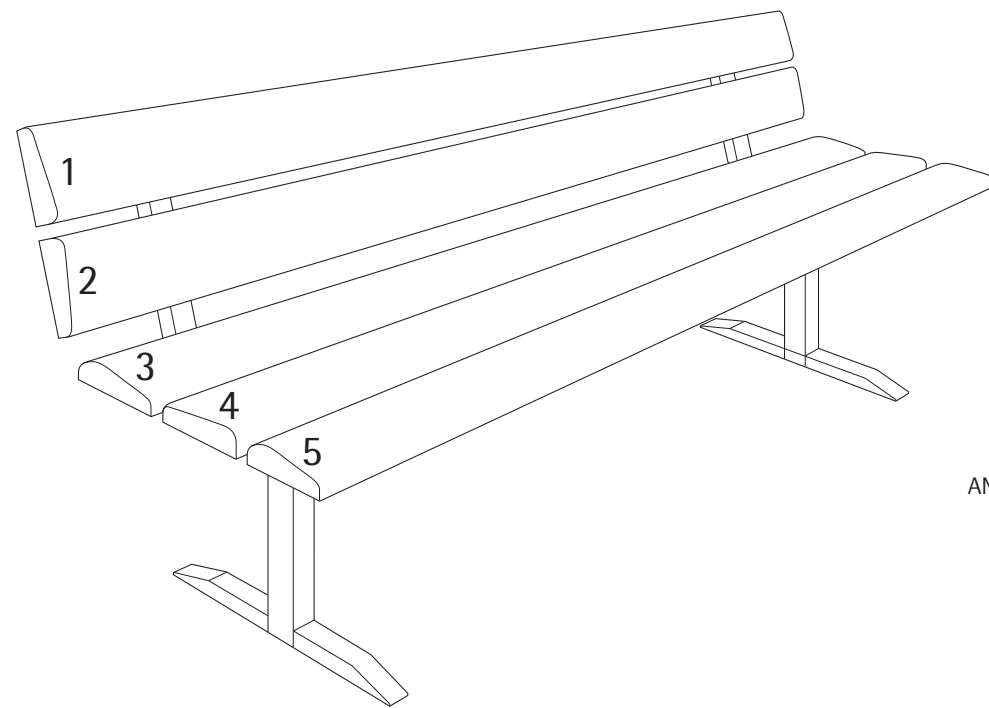


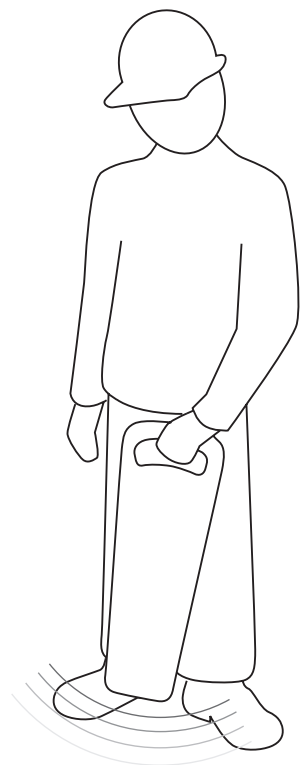
# INSTALLATION INSTRUCTIONS PARKLANE SEAT

DOC REF: 406 ISSUE 01



### ASSEMBLING THE SEAT

Position the 5 seat boards onto the frames, orientating the boards as shown. Fit a coachbolt into each hole and tap the coachbolt head into the timber board until fully seated. Fit a large washer and nut to every bolt and wind up only enough to take up the slack, **don't tighten**.  
IF THE SEATS ARE NOT TO BE ANCHORED GO TO 6.



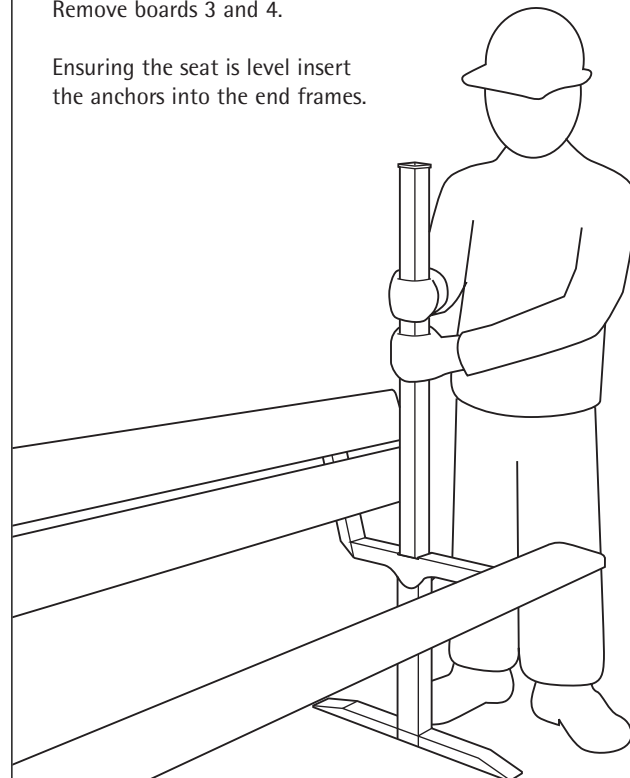
Always check for buried services

1

### ANCHORING

Remove boards 3 and 4.

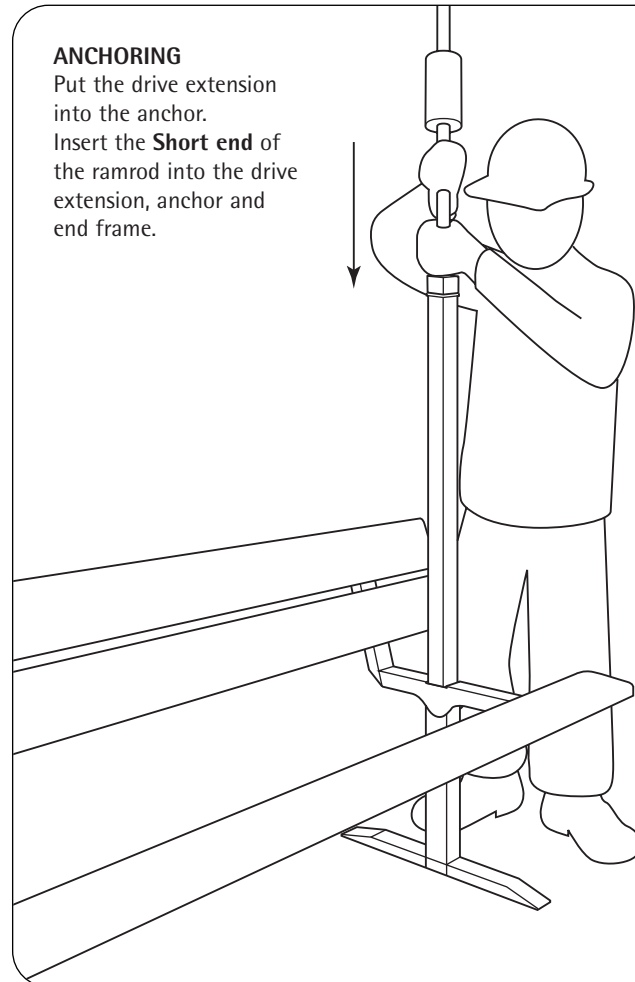
Ensuring the seat is level insert the anchors into the end frames.



2

### ANCHORING

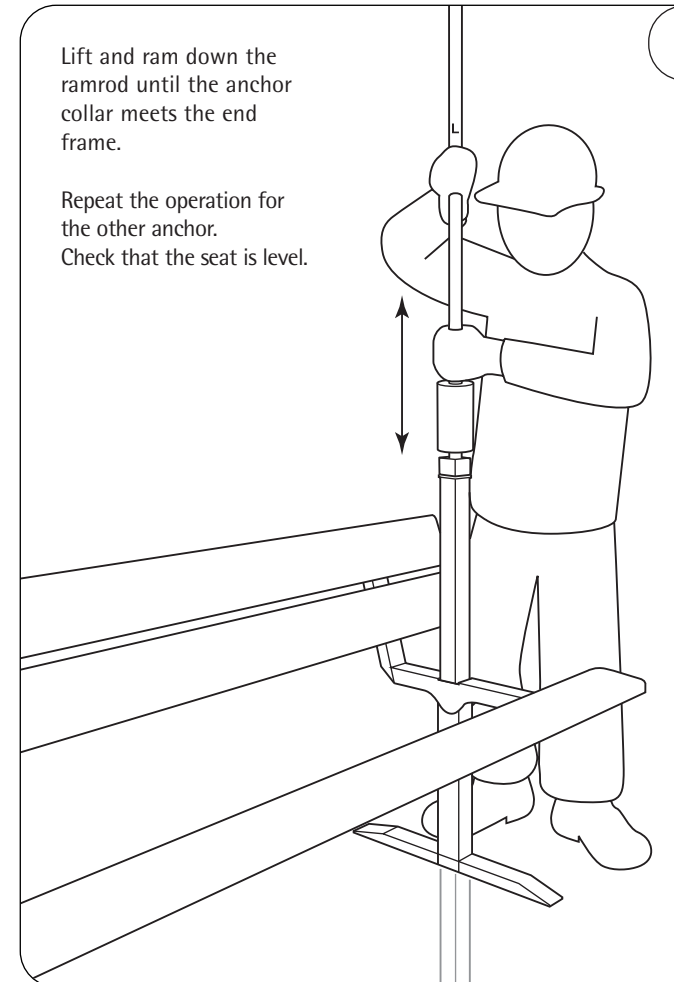
Put the drive extension into the anchor. Insert the **Short end** of the ramrod into the drive extension, anchor and end frame.



3

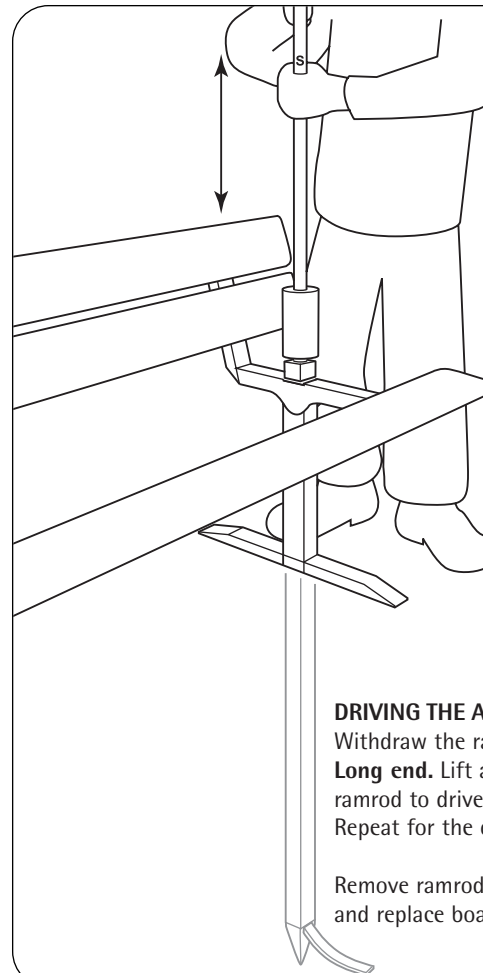
Lift and ram down the ramrod until the anchor collar meets the end frame.

Repeat the operation for the other anchor. Check that the seat is level.



4

5



### DRIVING THE ANCHOR FLUKES

Withdraw the ramrod and insert the **Long end**. Lift and ram down the ramrod to drive out the flukes. Repeat for the other anchor.

Remove ramrod and drive extension and replace boards 3 and 4.

6

### SECURITY

For added security the 6no bolts can be peened over with a hammer.



Earth Anchors Ltd  
15 Campbell Road, Croydon, Surrey CR0 2SQ, United Kingdom.  
Tel: 020 8684 9601 Fax: 020 8684 2230  
www.earth-anchors.com