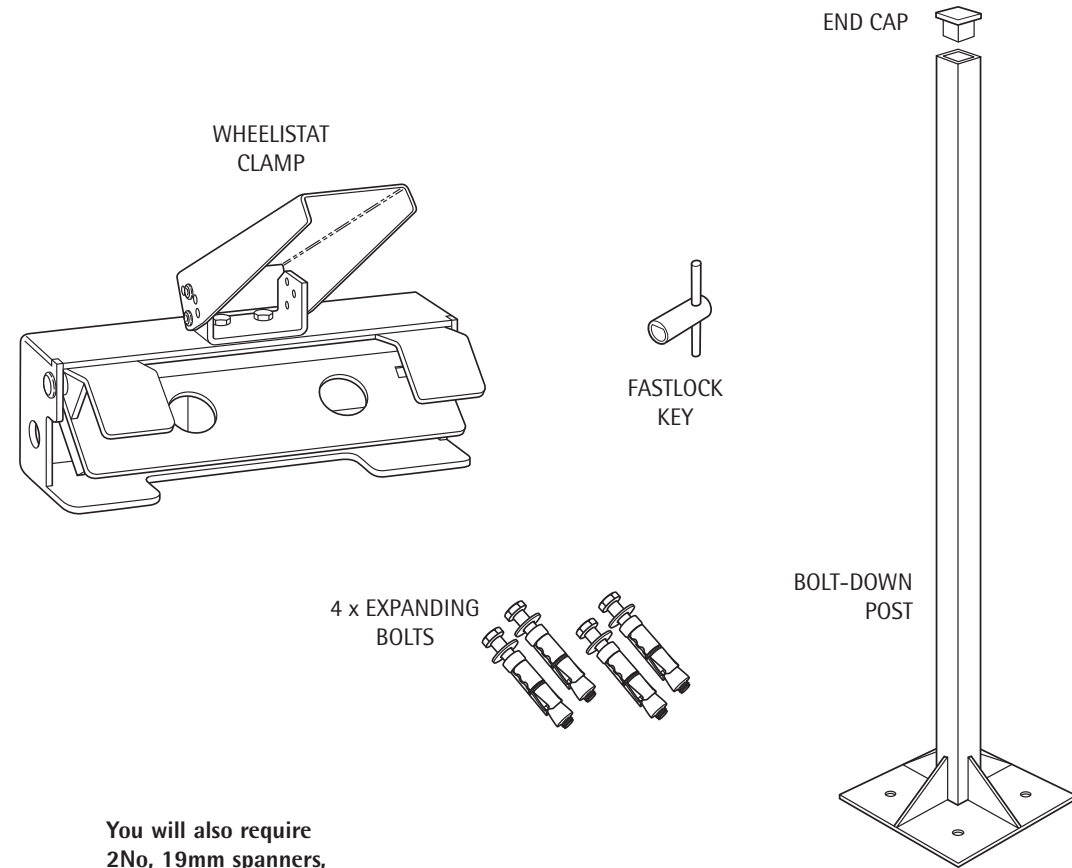


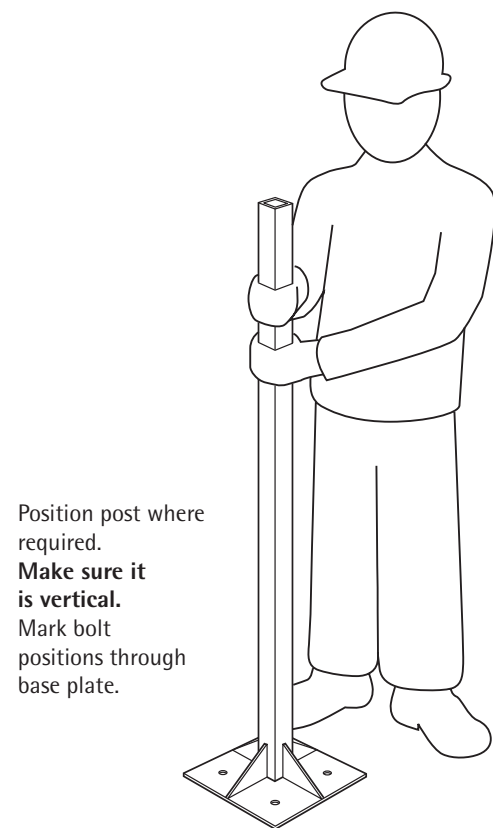
INSTALLATION INSTRUCTIONS WHEELISTAT (WITH BOLT-DOWN POST)

DOC REF: 504 ISSUE 01



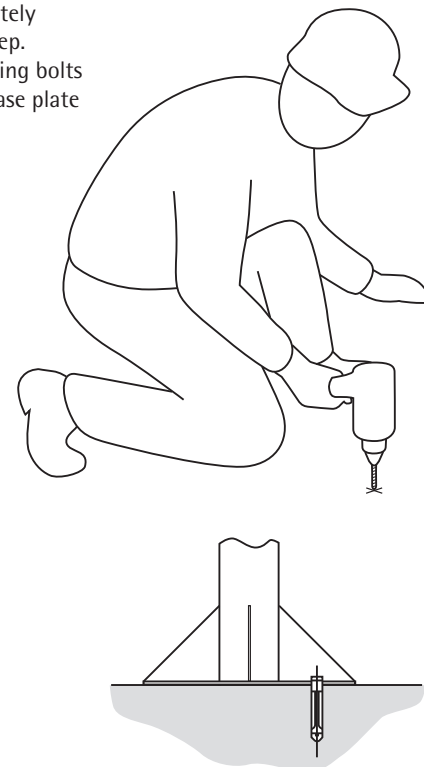
You will also require
2No, 19mm spanners,
and 20mm masonry drill.

1 INSTALLING THE POST



Position post where required.
Make sure it is vertical.
Mark bolt positions through base plate.

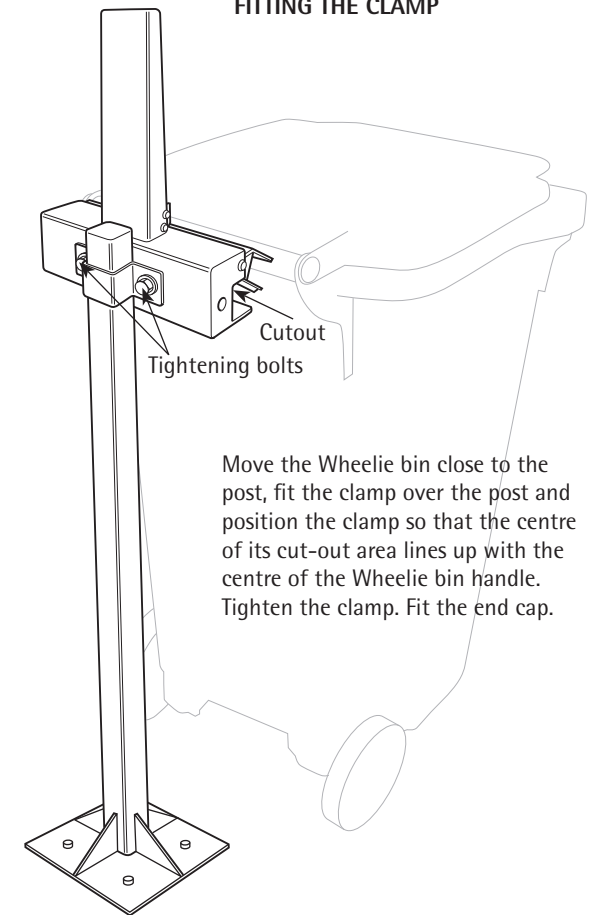
2 Move post aside and drill 4 x 20mm holes, approximately 110mm deep. Fit expanding bolts through base plate into holes.



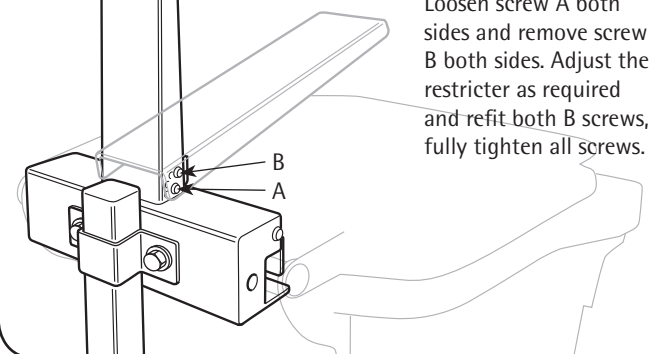
3 When all the bolts are positioned, fully tighten them.



4 FITTING THE CLAMP



5 OPTIONAL LID RESTRICTOR



6 Once the Wheelistat is closed use the Fastlock key to unlock the mechanism and release the bin.

