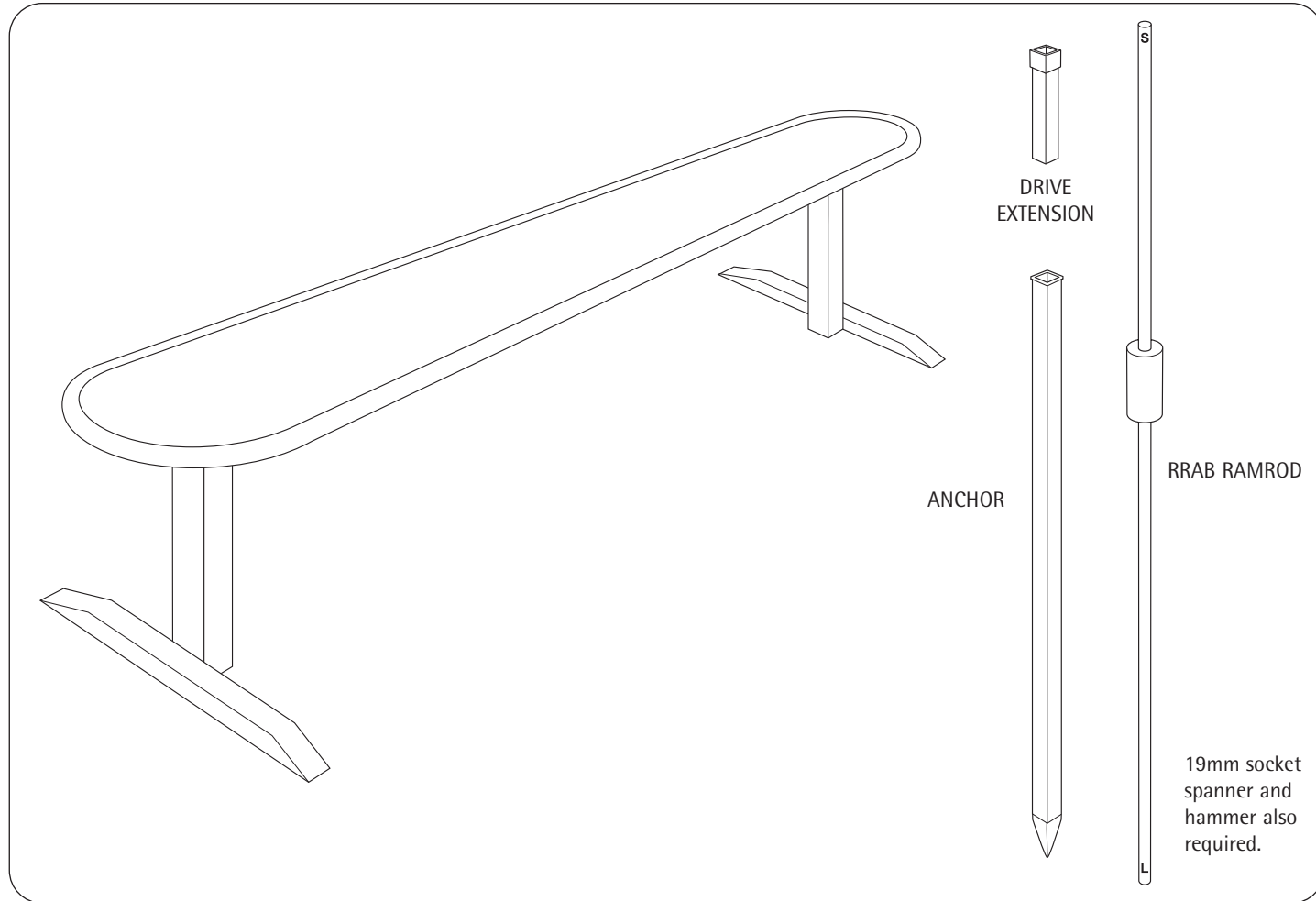


INSTALLATION INSTRUCTIONS RANGER BENCH

DOC REF: 404 ISSUE 01



1

Always check for buried services

2

ASSEMBLING THE SEAT
Turn the seat upside down. Fit only one bolt, washer and halfnut per end frame. Don't fit shearnuts at this stage (see step 6).

Make sure that the bolthead is facing the outside of the bench.

Turn the bench the right way up.

3

ANCHORING
Swing the seat panel up.

Insert the anchor into the seat frame, then the drive extension into the anchor.

4

Insert the **Short end** of the ramrod into the anchor through the drive extension.

Lift and ram down the ramrod until the anchor collar meets the end of the seat tube.

Repeat the operation for the other anchor. Check the seat is level.

5

DRIVING THE ANCHOR FLUKES
Withdraw the ramrod and insert the **Long end**. Lift and ram down the ramrod to drive out the flukes.

Remove the ramrod and drive extension. Swing the seat panel back down and fit the remaining bolts, washers and nuts.

6

Assembly sequence of fittings for maximum security

FINAL ASSEMBLY OF THE SEAT
Fit the remaining two M12 coach bolts, washers and half nuts to the seat panel. Tighten all the nuts up hard on both panels making sure the coach bolt heads are flush with the framework. Next fit another washer followed by a Shearnut onto each coach bolt. Shear the hexagon heads off the Shearnuts.

Caution: Shearing of the nuts can usually be sensed but we advise the wearing of gloves during tightening of nuts to prevent possible skinning of knuckles.