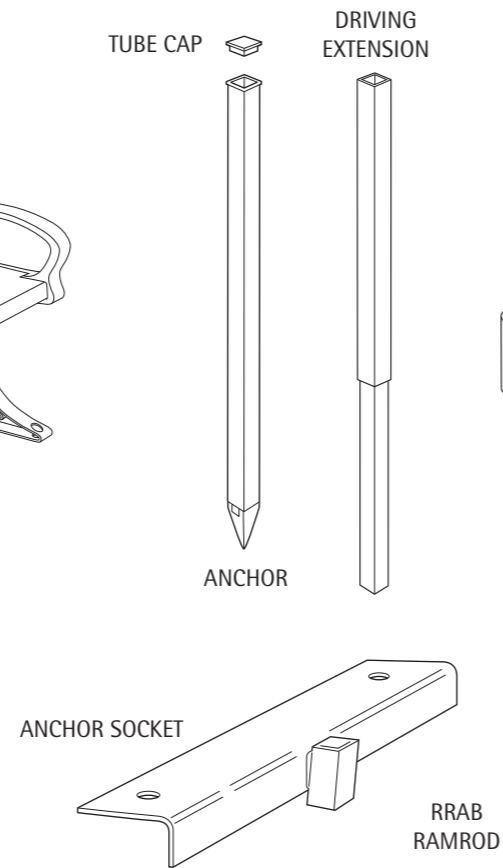
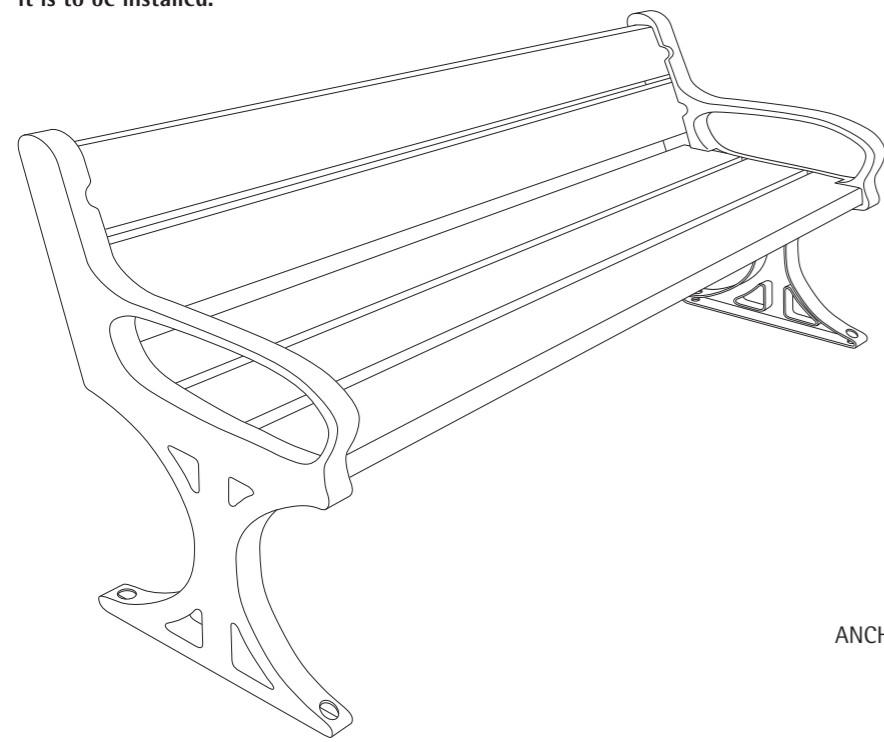


INSTALLATION INSTRUCTIONS EVERGREEN / CENTENARY SEAT ANCHORING

DOC REF: 501 ISSUE 01

Make sure the seat is assembled close to where it is to be installed.



1

Always check for buried services

2

Assembly: Bolt the Anchor Sockets to the underside of the seat castings with the M12 x 50 bolts, washers and nuts, 2No of each per casting, as shown. The anchor tubes must face outwards from the seat castings.

3

Positioning: Position the seat where it is required. The vertical sections of the Anchor Socket need to be fully bedded into the ground, this is best done by using a spade to clear the earth underneath the sockets.

4

Anchoring: Put the Anchor into the socket followed by the Driving Extension.

5

Put the **SHORT** end of the Ramrod into the Driving Extension. Using a lift and fall action drive the Anchor until it is fully driven into the socket. Repeat the process for the other anchor. Ensure that the seat is level.

6

Driving the anchor flukes: Reverse the Ramrod and still using the driving extension insert the **LONG** end of the Ramrod into the anchor tube. Drive the anchor fluke by lift and fall of the Ramrod until it's central block touches the top of the driving extension. Repeat the process for the other anchor. Following completion of the anchoring insert the Tube Caps into the top of the anchors.

Ensure all bolts have remained tight during the anchoring process.