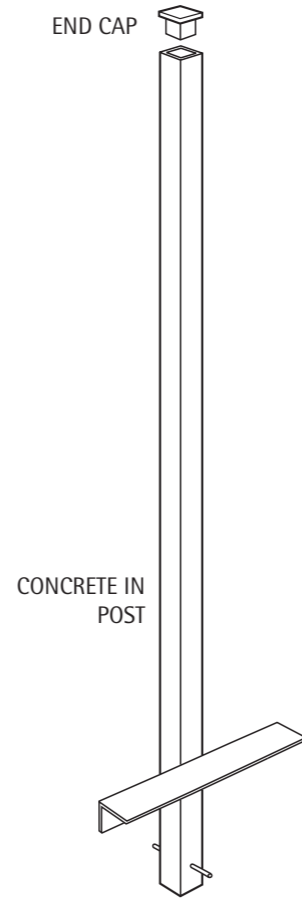
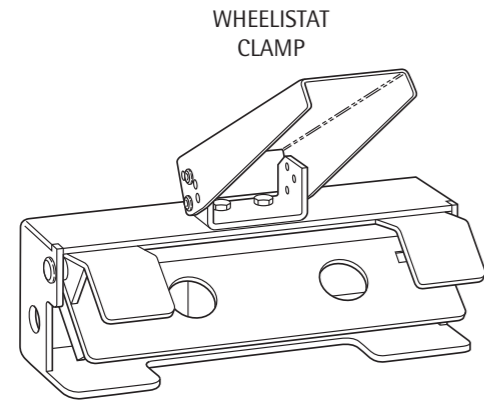


INSTALLATION INSTRUCTIONS WHEELISTAT (WITH POST FOR CONCRETE)

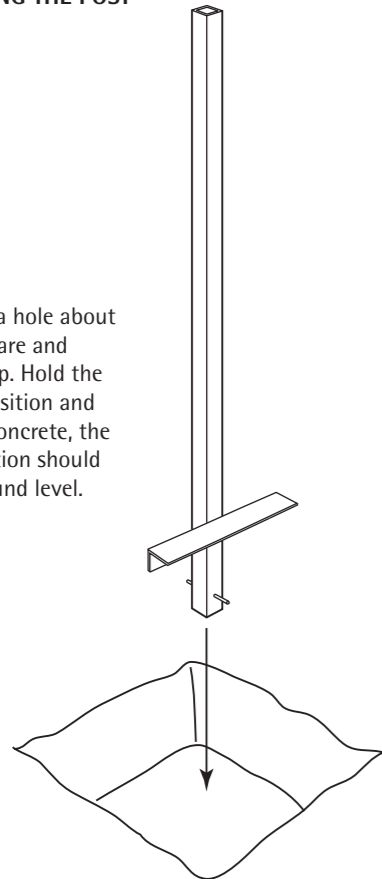
DOC REF: 503 ISSUE 01



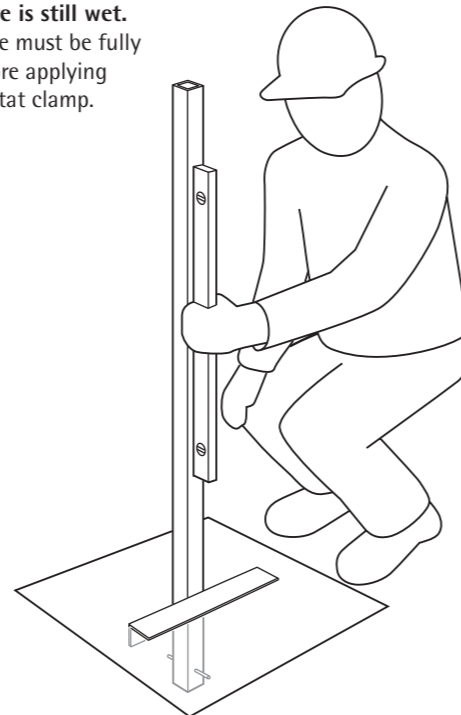
You will also require
2No, 19mm spanners.

1 INSTALLING THE POST

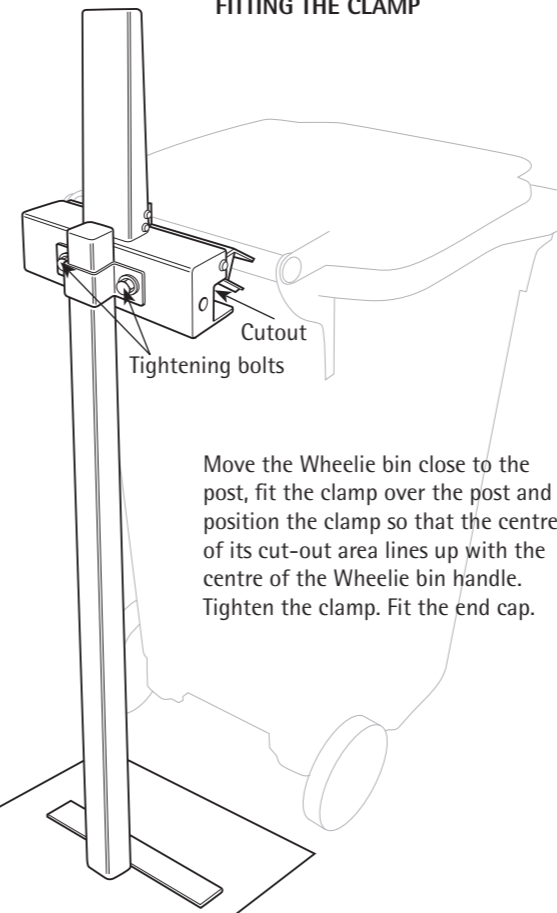
Excavate a hole about 40cm square and 50cm deep. Hold the post in position and fill with concrete, the angle section should be at ground level.



2 **Make sure post is vertical while concrete is still wet.** Concrete must be fully set before applying Wheelistat clamp.

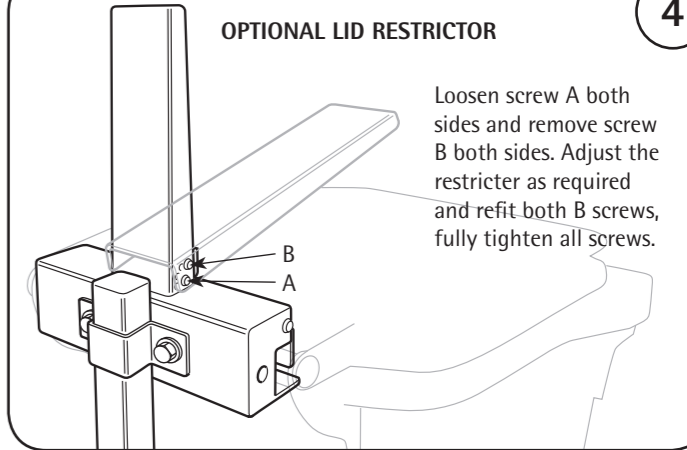


3 FITTING THE CLAMP



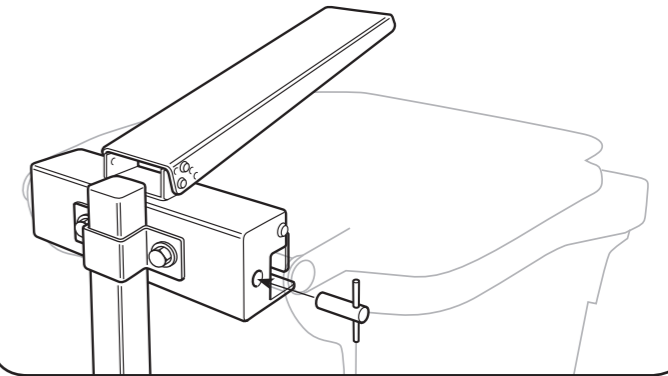
Move the Wheelie bin close to the post, fit the clamp over the post and position the clamp so that the centre of its cut-out area lines up with the centre of the Wheelie bin handle. Tighten the clamp. Fit the end cap.

4 OPTIONAL LID RESTRICTOR



Loosen screw A both sides and remove screw B both sides. Adjust the restricter as required and refit both B screws, fully tighten all screws.

5 Once the Wheelistat is closed use the Fastlock key to unlock the mechanism and release the bin.



Earth Anchors Ltd
15 Campbell Road, Croydon, Surrey CR0 2SQ, United Kingdom.
Tel: 020 8684 9601 Fax: 020 8684 2230
www.earth-anchors.com