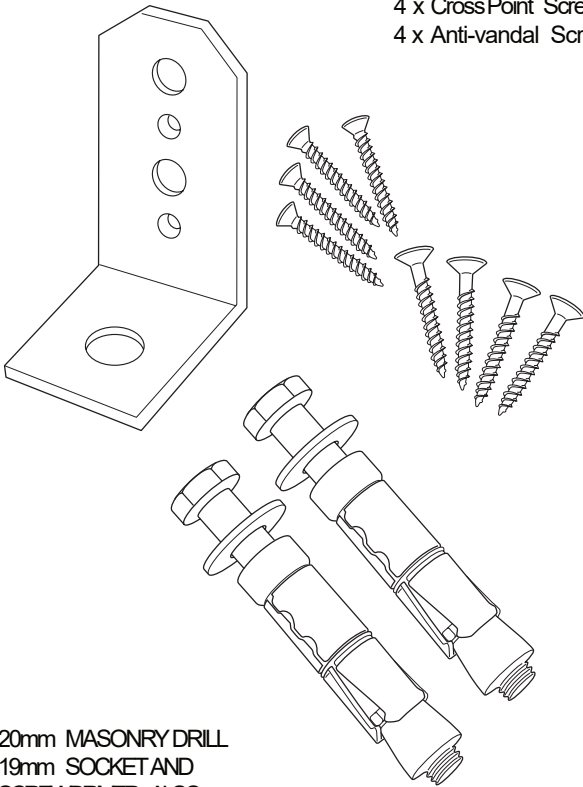


INSTALLATION INSTRUCTIONS

ANCHOR KIT EA103

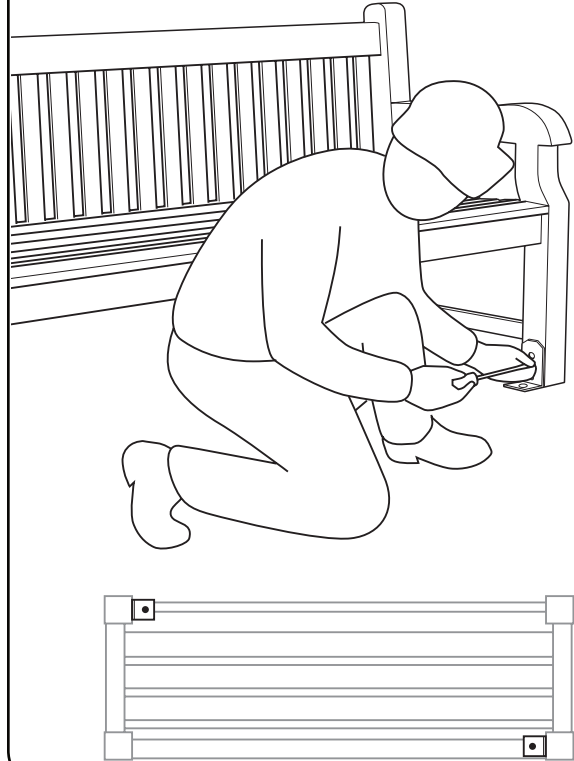
Components- 2 x Bench Brackets
2 x Expanding Bolts
4 x CrossPoint Screws
4 x Anti-vandal Screws



20mm MASONRY DRILL
19mm SOCKET AND
SCREWDRIVER ALSO
REQUIRED.

1

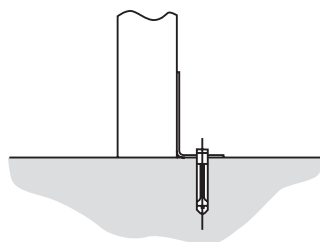
Fix 2 bench brackets to the inside of seat legs, diagonally. Mark hole positions through bench brackets, drill 2 pilot holes: 3mm dia x 45mm deep. Fix brackets using either crosspoint or vandal resistant screws.



2



Position seat.
Mark ground position
through bracket.
Move seat aside and drill
20mm hole, approximately
110mm deep.
Fit expanding bolt into hole
and remove bolt.



3

Re position seat and fit bolt, but don't fully tighten at this stage. Repeat procedure for the other bolt. When bench is finally positioned, fully tighten both bolts.



EA

Earth Anchors Ltd
Unit 3 io centre, Salbrook road industrial estate,
Salfords, Surrey RH1 5GJ, United Kingdom.
Tel: 020 8684 9601
www.earth-anchors.com