



Earth Anchors

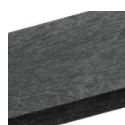
furniture for parks and streets.

Seat & Benches Data Sheet

Forest Saver Bench



Colour Information:



Black



RAL 6005



RAL 9005



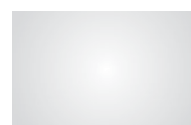
RAL 1021



RAL 5010



RAL 3003



Galvanised

Specification:

Seat length: 1800mm

Seat height: 510mm

Weight: 39.8kg

Product Information

Description

A simple steel framed park bench with recycled plastic slats. Frames paintable in a selection of colours.

Features

Supplied flat packed – 5 pieces.

Tamperproof fittings.

Powder coated frames.

Materials

Mild steel.

Forest-Saver recycled plastic.

Optional Extras

Customise with engravings or plaques.

Ground fixing kits.



Earth Anchors Ltd

Unit 3 Io Centre, Salbrook Road Industrial Estate, Salfords, Surrey, RH1 5GJ

Tel: 020 8684 9601

www.earth-anchors.com



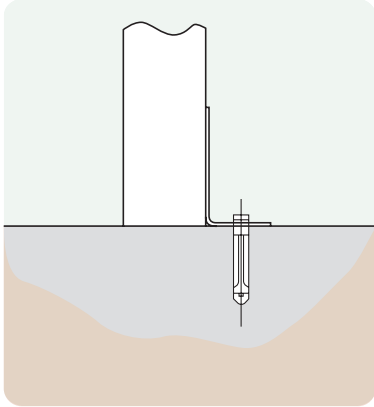
Earth Anchors

furniture for parks and streets.

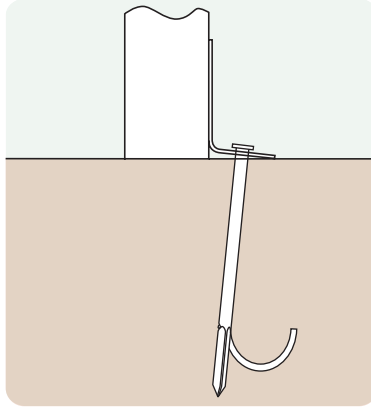
Seat & Benches Data Sheet

Forest Saver Bench

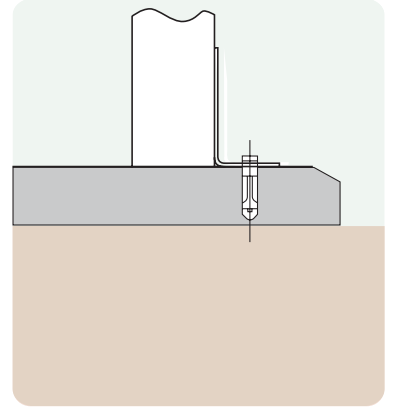
Ground Fixings



Bolt down
Available for a variety of hard surfaces.



Anchored
Soft ground fixing kit for grass.

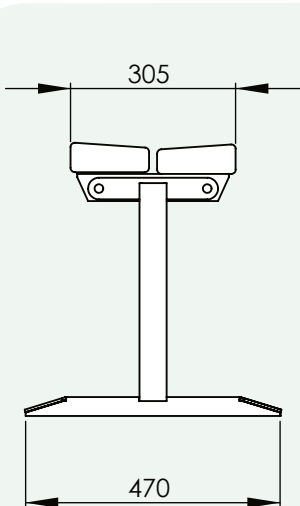


FastDek
Envirofriendly alternative to a concrete pad.

Additional Data

Total weight: 39.8kg
Legs: 4kg
Seat slats: 11.4kg
Transverse frame: 9kg

Side View



Top View

