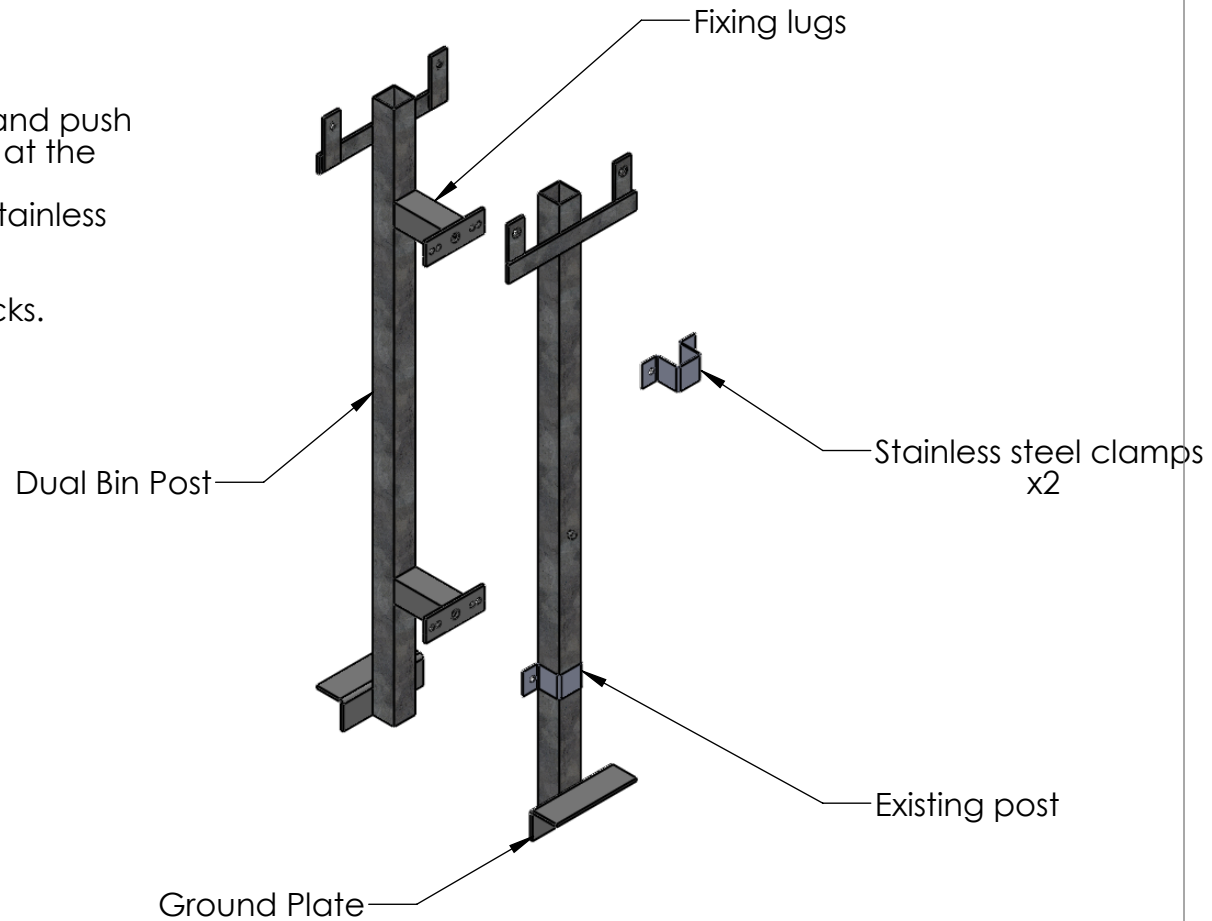
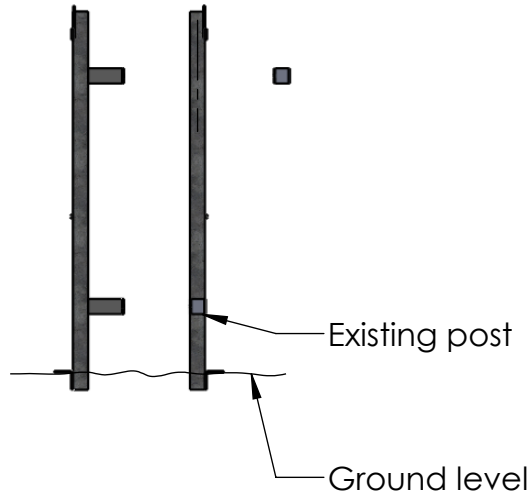


## HGN Dual Bin Installation

1. Remove bin from existing post
2. Position dual bin post against existing post and push into the ground until the ground plates are at the same height
3. Clamp Dual bin post to existing post using stainless clamps & screws
4. Tighten Fully
5. Replace bins and lock to post using Fast locks.



**PROPRIETARY AND CONFIDENTIAL**  
 THE INFORMATION CONTAINED IN THIS DRAWING IS THE SOLE PROPERTY OF EARTH ANCHORS LIMITED. ANY REPRODUCTION IN PART OR AS A WHOLE WITHOUT THE WRITTEN PERMISSION OF EARTH ANCHORS LIMITED IS PROHIBITED.

		DIMENSIONS ARE IN INCHES TOLERANCES: FRACTIONAL ± ANGULAR: MACH ± BEND ± TWO PLACE DECIMAL ± THREE PLACE DECIMAL ±	NAME AC	DATE 04/02/11	Earth Anchors Ltd	
		MATERIAL	CHECKED		Doc Ref 444	
		FINISH --	ENG APPR.			
NEXT ASSY	USED ON		MFG APPR.		SIZE A	DWG. NO.
APPLICATION		DO NOT SCALE DRAWING	Q.A.		SCALE: 1:20	WEIGHT:
			COMMENTS:			REV. 1
						SHEET 1 OF 1