



Earth Anchors

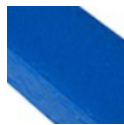
furniture for parks and streets.

# Seat & Benches Data Sheet

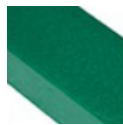
## Modular Rainbow Bench



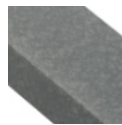
### Colour Information:



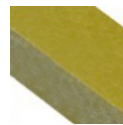
Blue



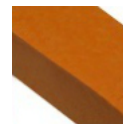
Green



Grey



Lime



Orange



Red



Purple



Multi

### Specification:

Seat Length: 1800mm

Seat Width: 510mm

Weight: 72.9kg

### Product Information

#### Description

A simple colourful recycled plastic bench with 3 legs. Ideal for joining together to make a continuous bench. Available in multiple colours.

#### Features

Supplied flat packed or assembled – 5 pieces  
Rust proof fixings  
25-year material guarantee  
Available in 1.8 or 1m

#### Materials

Forest-Saver recycled plastic  
Stainless Steel

#### Optional Extras

Ground fixing kits



Earth Anchors Ltd

Unit 3 Io Centre, Salbrook Road Industrial Estate, Salfords, Surrey, RH1 5GJ

Tel: 020 8684 9601

www.earth-anchors.com



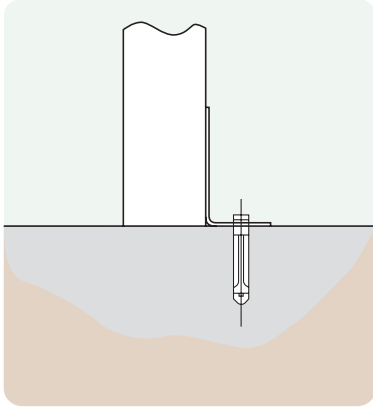
Earth Anchors

furniture for parks and streets.

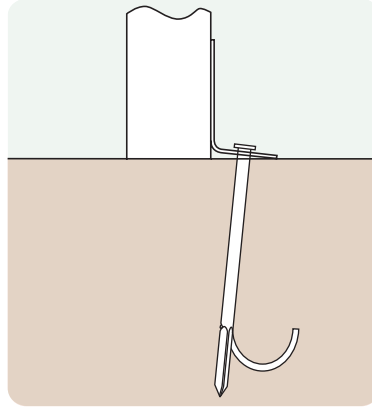
# Seat & Benches Data Sheet

## Modular Rainbow Bench

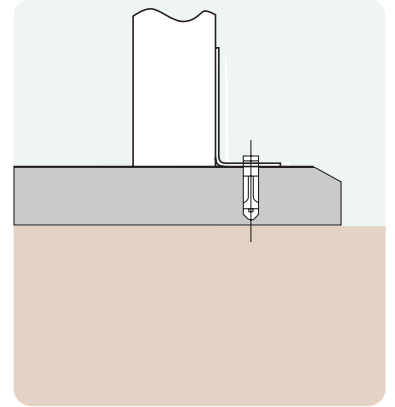
### Ground Fixings



**Bolt down**  
Available for a variety of hard surfaces.

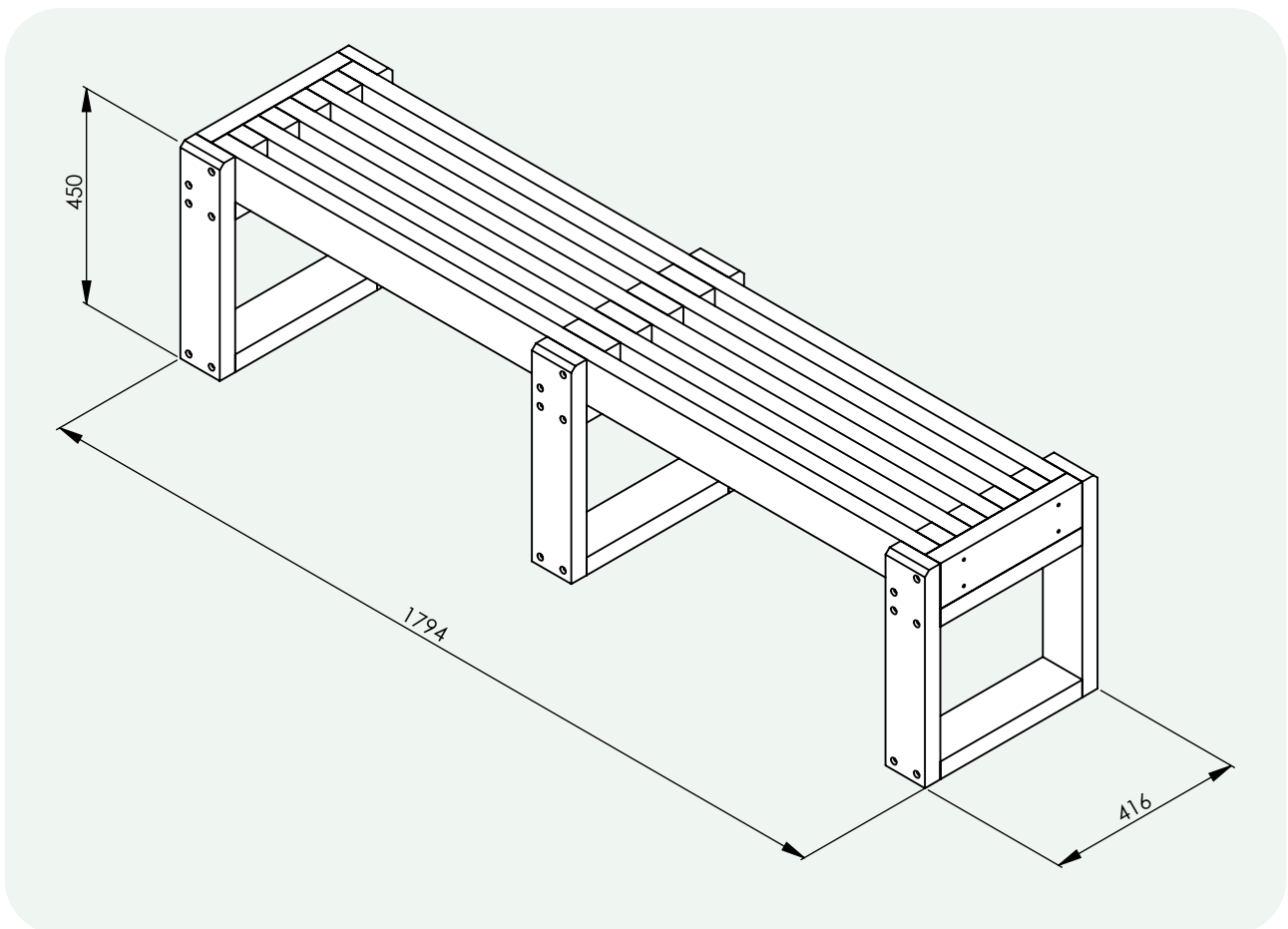


**Anchored**  
Soft ground fixing kit for grass.



**FastDek**  
Envirofriendly alternative to a concrete pad.

### Isometric View



**Earth Anchors Ltd**

Unit 3 Io Centre, Salbrook Road Industrial Estate, Salfords, Surrey, RH1 5GJ

Tel: 020 8684 9601

[www.earth-anchors.com](http://www.earth-anchors.com)