



Earth Anchors

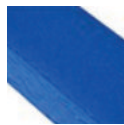
furniture for parks and streets.

# Seat & Benches Data Sheet

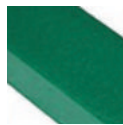
## Moulded Rainbow Seat



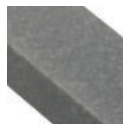
### Colour Information:



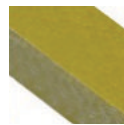
Blue



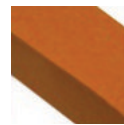
Green



Grey



Lime



Orange



Red



Purple



Multi

### Specification:

Seat Length: 1500mm

Seat height: 437mm

Weight: 70kg

### Product Information

#### Description

A colourful recycled plastic seat with backrest and solid moulded legs. Available in 8 different colour selections.

#### Features

Supplied partially assembled - (4 pieces).  
Guaranteed for 25 years against material failure.

#### Materials

Forest-Saver recycled plastic.  
Stainless steel fixings.

#### Optional Extras

Customise with engravings or plaques.  
Ground fixing kits.



Earth Anchors Ltd

Unit 3 Io Centre, Salbrook Road Industrial Estate, Salfords, Surrey, RH1 5GJ

Tel: 020 8684 9601

www.earth-anchors.com



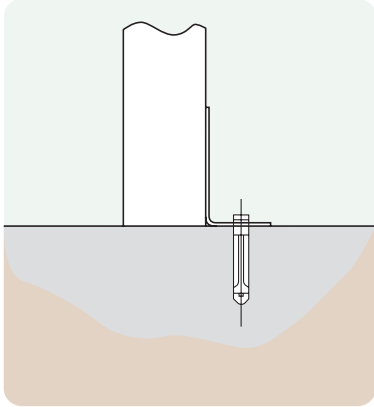
Earth Anchors

furniture for parks and streets.

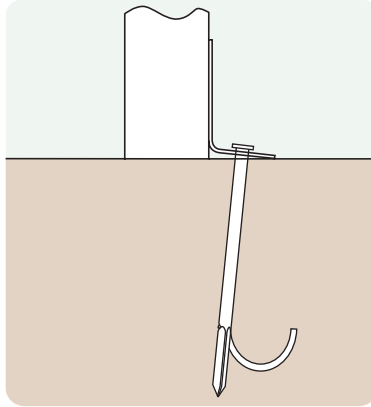
# Seat & Benches Data Sheet

## Moulded Rainbow Seat

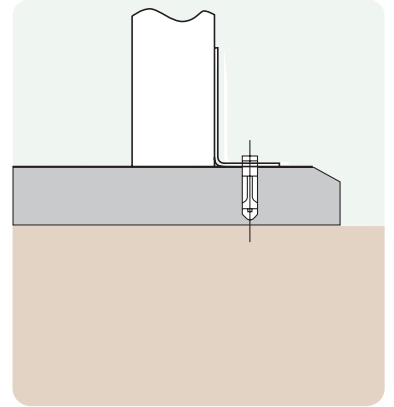
### Ground Fixings



**Bolt down**  
Available for a variety of hard surfaces.



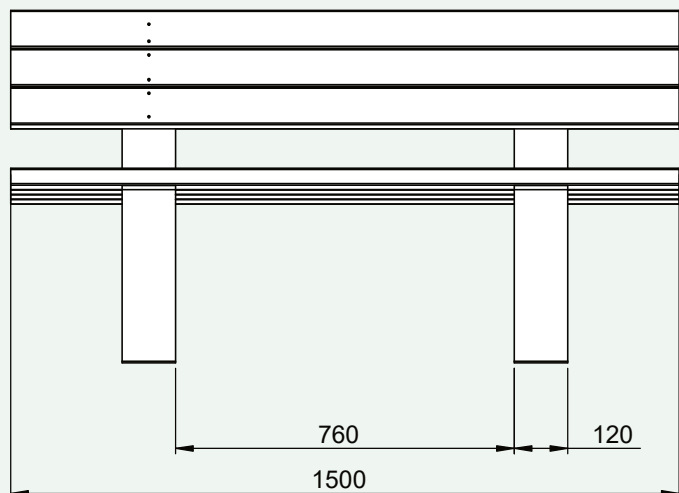
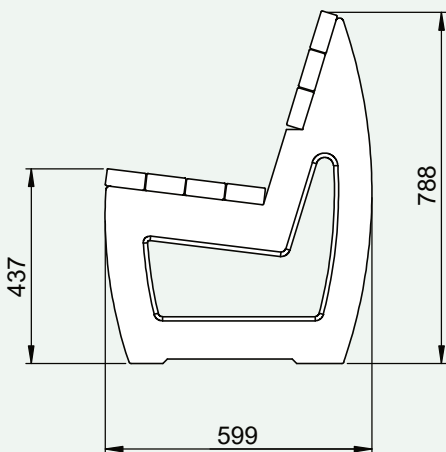
**Anchored**  
Soft ground fixing kit for grass.



**FastDek**  
Envirofriendly alternative to a concrete pad.

### Additional Data

Total weight: 70kg  
Leg weight: 19kg  
Seat weight: 19kg  
Backrest weight: 13kg



Earth Anchors Ltd

Unit 3 Io Centre, Salbrook Road Industrial Estate, Salfords, Surrey, RH1 5GJ

Tel: 020 8684 9601

www.earth-anchors.com