



Earth Anchors

furniture for parks and streets.

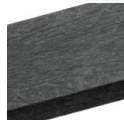
Table Data Sheet

Octagonal Wheelchair Accessible Picnic Table

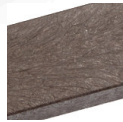
OCT/BLK/MOB1



Colour Information:



Black



Brown

Specification:

Table top width: 1200mm

Seat width: 875mm

Table height: 730mm

Seat height 425mm

Weight: 143Kg

Product Information

Description

Octagonal picnic table for up to 6 people with space for a single wheelchair user. Made entirely from Forest-Saver recycled plastic.

Features

Parasol hole included - 47mm.

Supplied partially assembled - (5 pieces).

Guarantee: 25 years against material failure.

Materials

Forest-Saver recycled plastic.

Stainless steel fittings.

Optional Extras

Personalisation with engravings or plaques.

Ground fixing kits.

Two wheelchair spaces.



Earth Anchors Ltd

Unit 3 Io Centre, Salbrook Road Industrial Estate, Salfords, Surrey, RH1 5GJ

Tel: 020 8684 9601

www.earth-anchors.com



Earth Anchors

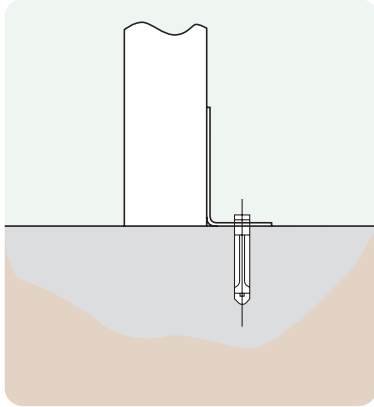
furniture for parks and streets.

Table Data Sheet

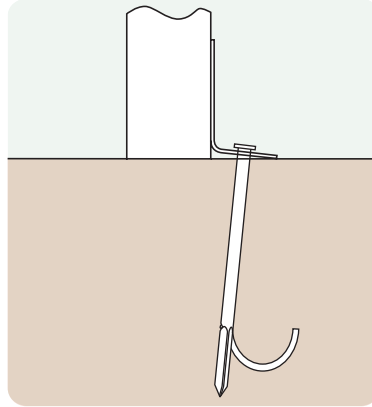
Octagonal Mobility Picnic Table

OCT/BLK/MOB1

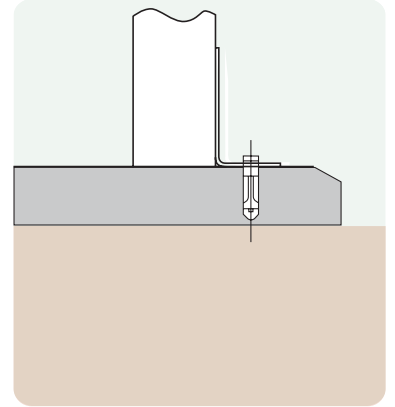
Ground Fixings



Bolt down
Available for a variety of hard surfaces.

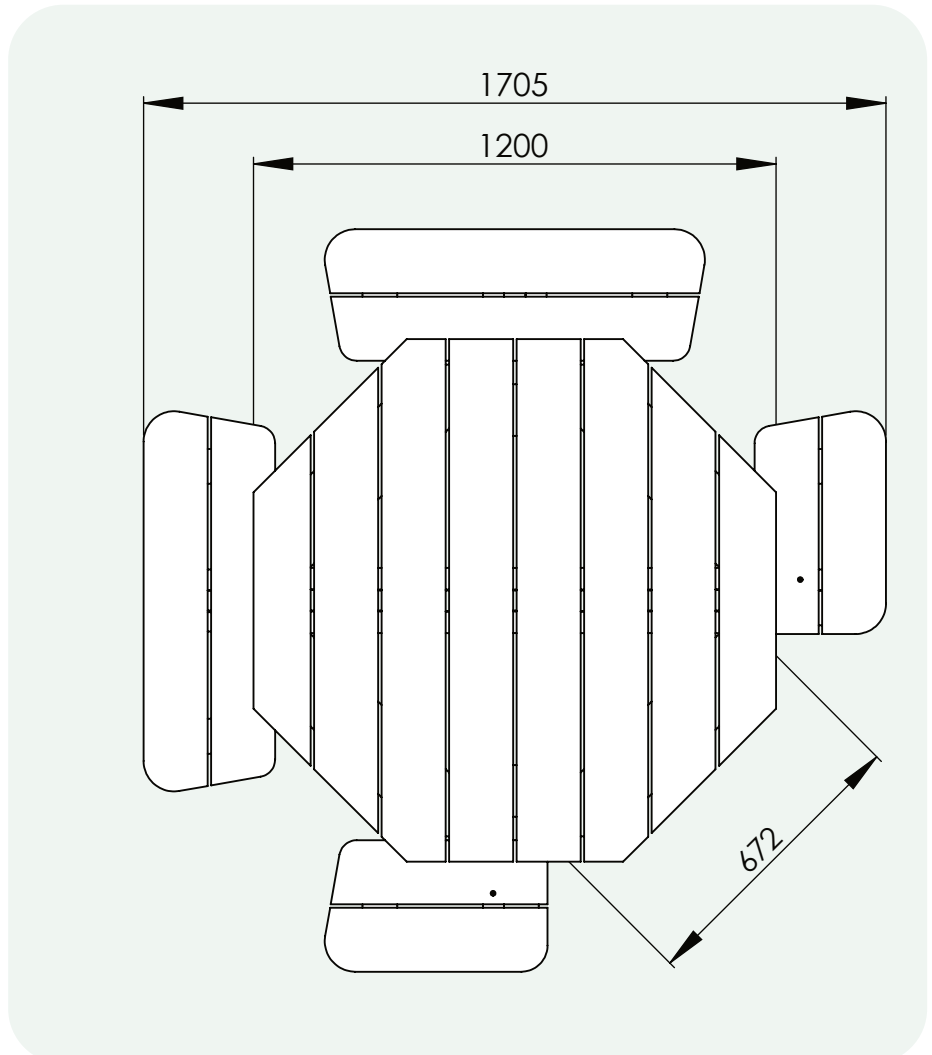


Anchored
Soft ground fixing kit for grass.



FastDek
Envirofriendly alternative to a concrete pad.

Top View



Additional Data

Total weight: 143kg

Table weight: 102kg

Bench weight: 12kg

Short bench weight: 8.5kg



Earth Anchors Ltd

Unit 3 Io Centre, Salbrook Road Industrial Estate, Salfords, Surrey, RH1 5GJ

Tel: 020 8684 9601

www.earth-anchors.com