



Earth Anchors

furniture for parks and streets.

Table Data Sheet

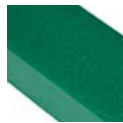
Rainbow 1m Picnic Table



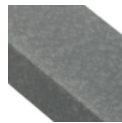
Colour Information:



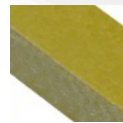
Blue



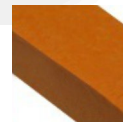
Green



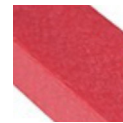
Grey



Yellow



Orange



Red



Purple



Multi

Specification:

Table top width: 1000mm

Table height: 742mm

Seat height: 442mm

Weight: 64kg

Product Information

Description

A coloured recycled plastic a-frame picnic table that seats up to 4 people. Made entirely from Forest-Saver recycled plastic

Features

Supplied partially assembled – (5 pieces).
Guaranteed for 25 years against material failure.

Materials

Forest-Saver recycled plastic.
Stainless steel fixings.

Optional Extras

Personalisation with engravings or plaques.
Ground fixing kits.
Extended legs.



Earth Anchors Ltd

Unit 3 Io Centre, Salbrook Road Industrial Estate, Salfords, Surrey, RH1 5GJ

Tel: 020 8684 9601

www.earth-anchors.com



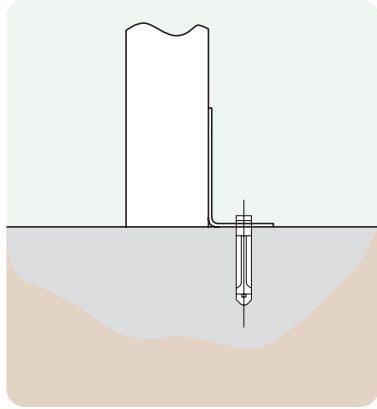
Earth Anchors

furniture for parks and streets.

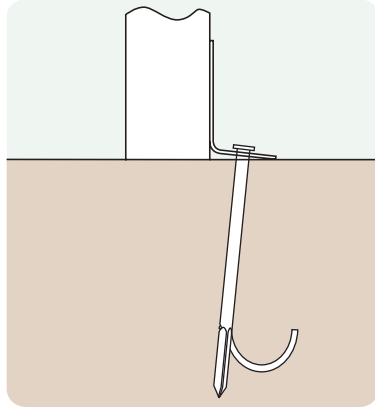
Table Data Sheet

Rainbow 1m Picnic Table

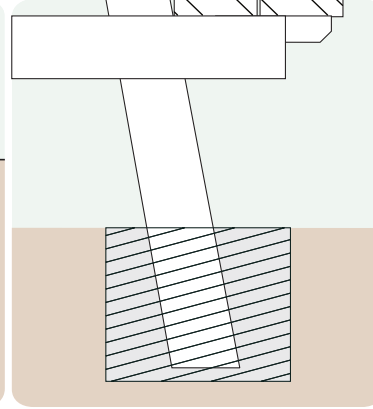
Ground Fixings



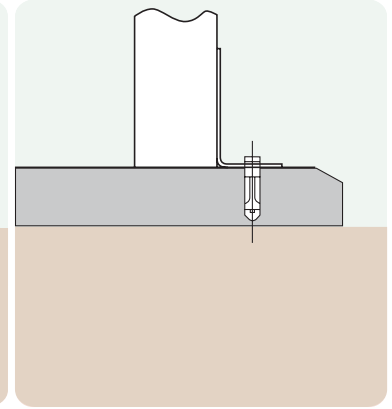
Bolt down
Available for a variety
of hard surfaces.



Anchored
Soft ground fixing kit for
grass.



Extended leg
Concrete - In.

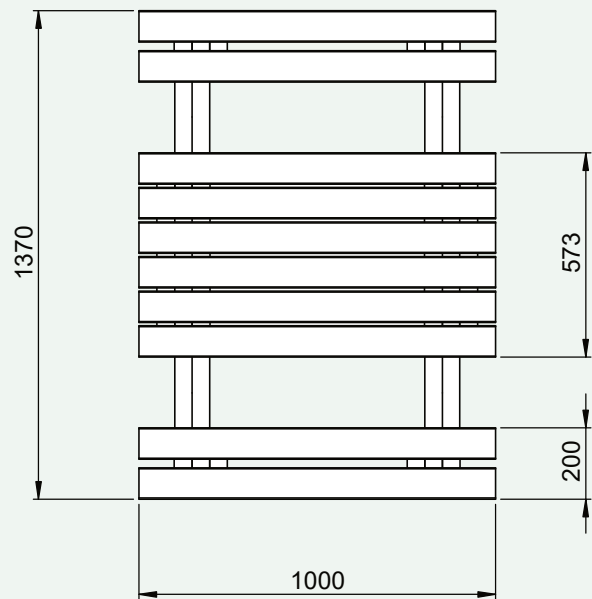


FastDek
Envirofriendly alternative
to a concrete pad.

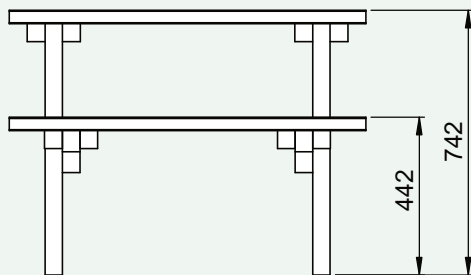
Top View

Additional Data

Total weight: 64kg
Top weight: 20kg
Bench weight: 7kg
Leg weight: 15kg



Side View



Earth Anchors Ltd
Unit 3 lo Centre, Salbrook Road Industrial Estate, Salfords, Surrey, RH1 5GJ
Tel: 020 8684 9601
www.earth-anchors.com