



Earth Anchors

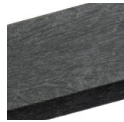
furniture for parks and streets.

Table Data Sheet

Round Picnic Table



Colour Information:



Black



Brown

Specification:

Table top width: 1200mm

Seat width: 875mm

Table height: 730mm

Seat height 425mm

Weight: 150kg

Product Information

Description

Round picnic table for 8 people made entirely from Forest-Saver recycled plastic.

Features

Parasol hole included - 47mm.
Supplied partially assembled – (5 pieces).
Guarantee: 25 years against material failure.

Materials

Forest-Saver recycled plastic.
Stainless steel fittings.

Optional Extras

Personalization with engravings or plaques.
Ground fixing kits.



Earth Anchors Ltd

Unit 3 Io Centre, Salbrook Road Industrial Estate, Salfords, Surrey, RH1 5GJ

Tel: 020 8684 9601

www.earth-anchors.com



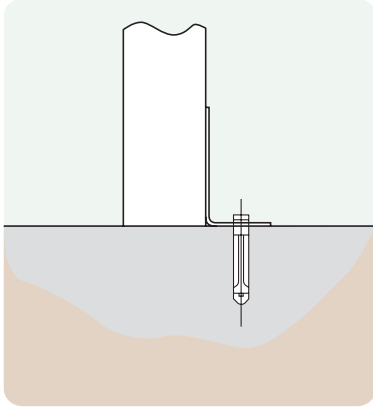
Earth Anchors

furniture for parks and streets.

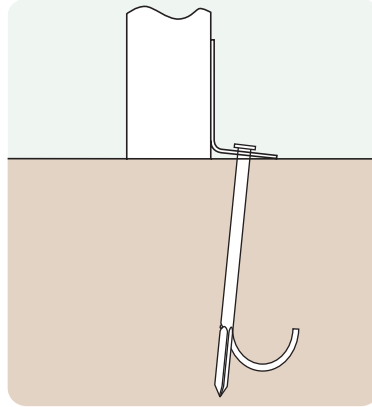
Table Data Sheet

Round Picnic Table

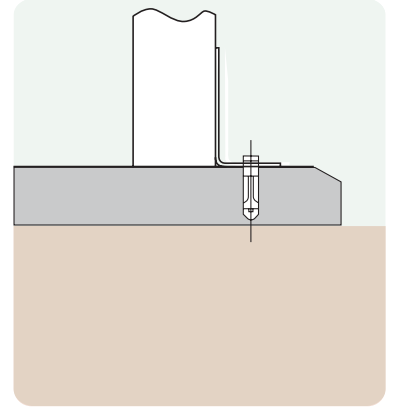
Ground Fixings



Bolt down
Available for a variety of hard surfaces.



Anchored
Soft ground fixing kit for grass.

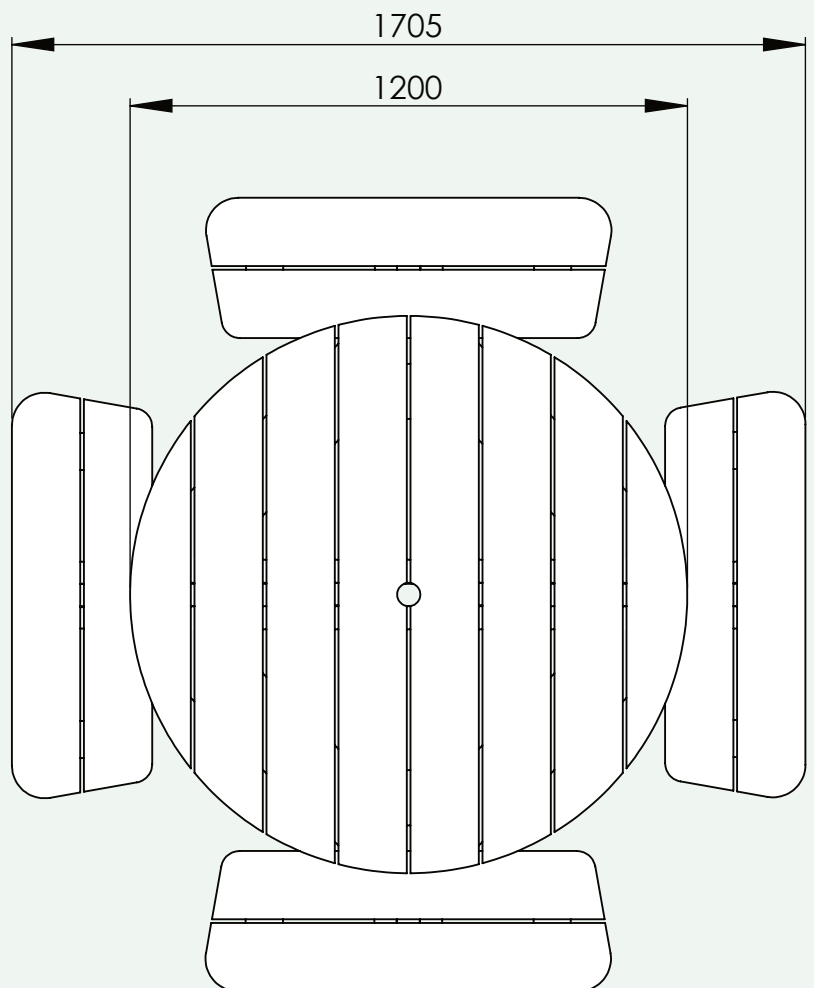


FastDek
Envirofriendly alternative to a concrete pad.

Additional Data

Total weight: 150kg
Table weight: 102kg
Bench weight: 12kg

Top View



Earth Anchors Ltd

Unit 3 Io Centre, Salbrook Road Industrial Estate, Salfords, Surrey, RH1 5GJ

Tel: 020 8684 9601

www.earth-anchors.com