

PARTS LIST - 2 PERSON ASSEMBLY:-		
A	PRE-ASSEMBLED TABLE TOP	1 no.
B	END A-FRAME	2 no.
C	MIDDLE A-FRAME	1 no.
D	PRE-ASSEMBLED BENCH	2 no.
E	70mm S/STEEL SCREWS	60 no.
F	90mm S/STEEL SCREWS	24 no.

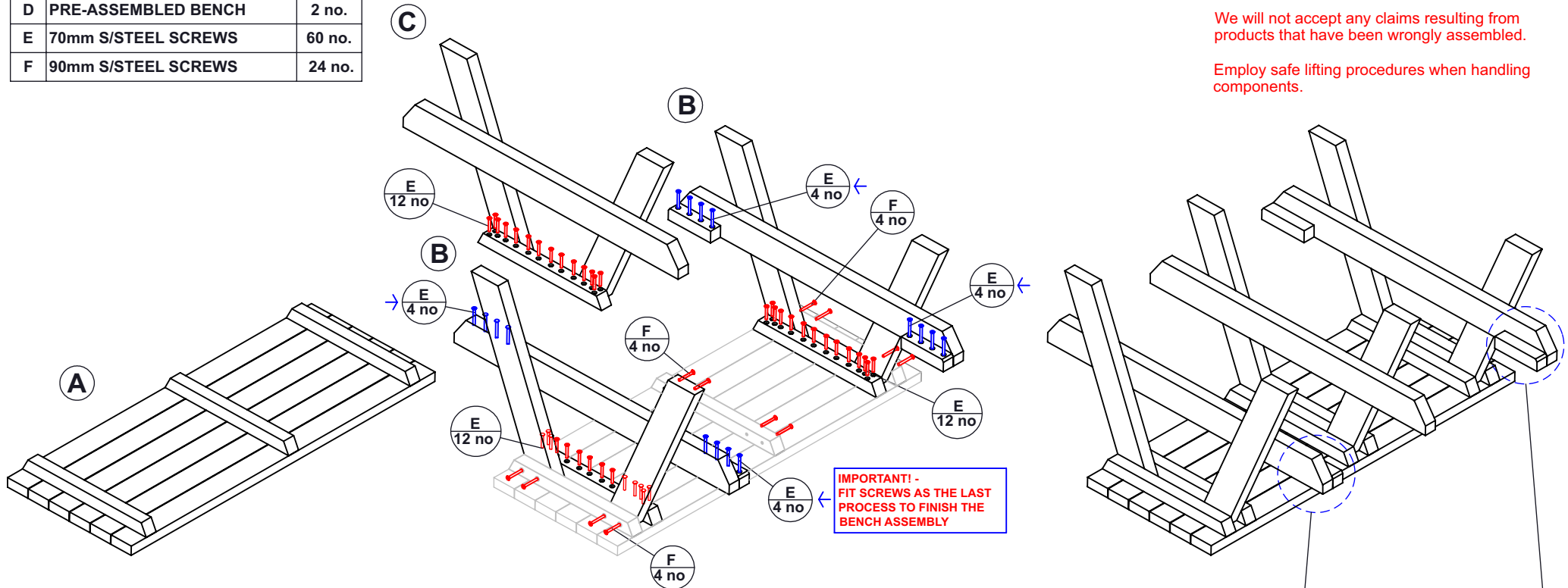
TOOLS:-	
POWER DRILL WITH PZ2 BIT	
G CLAMPS	

IMPORTANT:-

Ensure that you are familiar with these assembly instructions prior to commencing assembly.

We will not accept any claims resulting from products that have been wrongly assembled.

Employ safe lifting procedures when handling components.



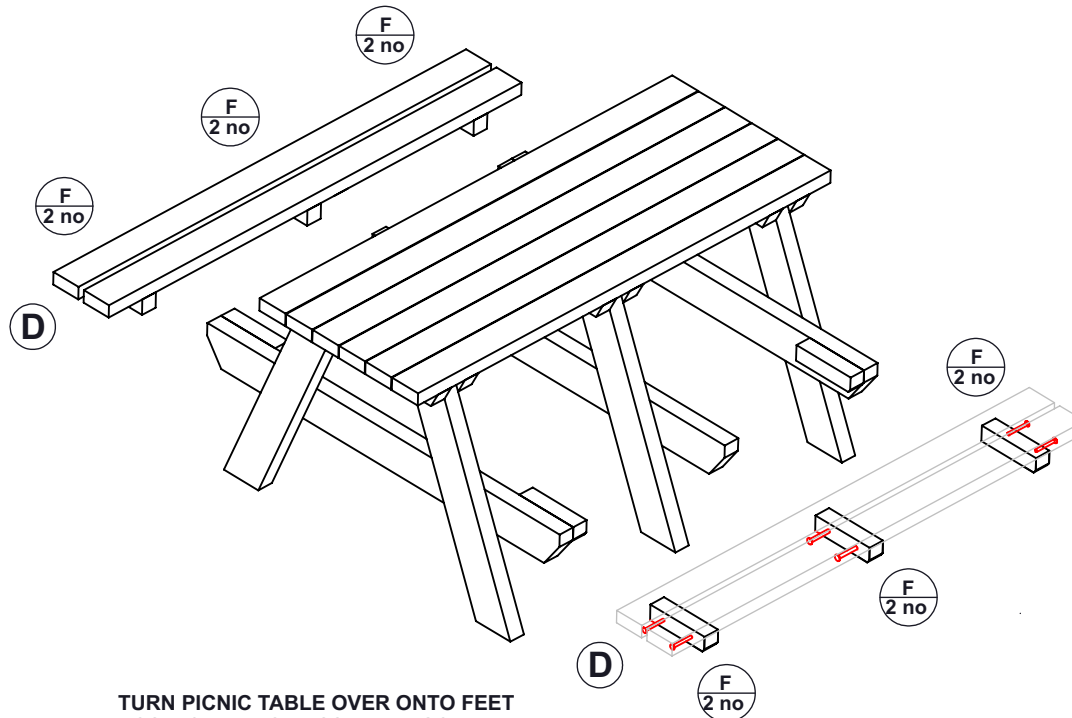
BEGIN ASSEMBLY WITH TABLE TOP TURNED UPSIDE DOWN

USE CLAMPS TO HOLD A-FRAMES TO TABLE BLOCKS
 FIX A-FRAMES TO TABLE TOP USING USING 70MM SCREWS THROUGH VERTICAL HOLES
 AND 90MM SCREWS THROUGH HORIZONTAL HOLES

ENSURE END A-FRAMES HAVE THE SEAT FIXING BLOCKS FACING INWARDS AS SHOWN

IMPORTANT - ONLY SCREW THROUGH SIDES WITH COUNTER SUNKHOLE.

Help and support:-
 Please contact us on 020 8684 9601 or email info@earth-anchors.com

TOOLS:-**POWER DRILL WITH PHILIPS-HEAD BIT****G CLAMPS**

TURN PICNIC TABLE OVER ONTO FEET
 POSITION BENCH ASSEMBLY SO THAT THE
 BLOCKS UNDERNEATH ARE FLUSH TO THE END OF THE LEGS
 SCREWS THROUGH HORIZONTAL BENCH HOLES (D)
 IN TO THE LEG ASSEMBLY

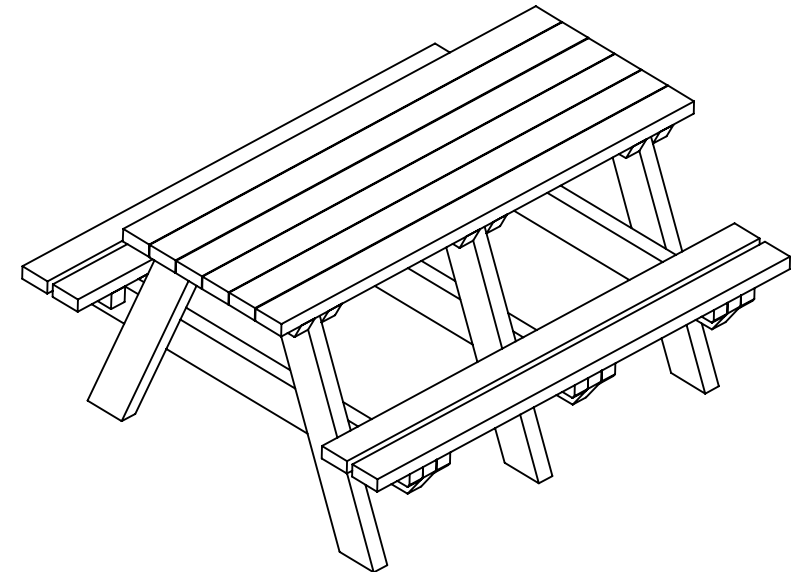
**IMPORTANT - USING THE REMAINING 70MM SCREWS
 THROUGH VERTICAL HOLES AS SHOWN ON PAGE 1 OF 2**

IMPORTANT:-

Ensure that you are familiar with these assembly instructions prior to commencing assembly.

We will not accept any claims resulting from products that have been wrongly assembled.

Employ safe lifting procedures when handling components.



SURREY ADULT PICNIC TABLE:
 Assembly Guide - 2 of 2.

EARTH ANCHORS LTD