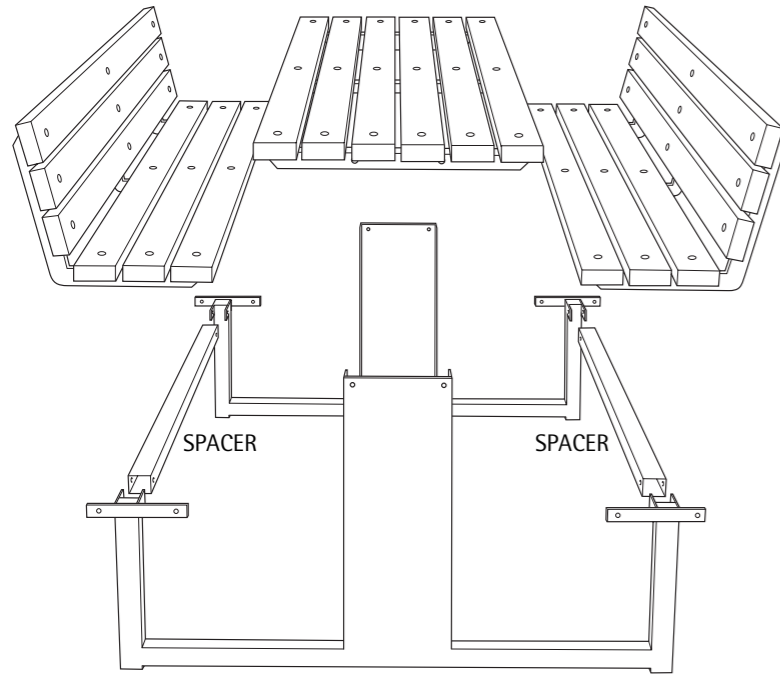


# INSTALLATION INSTRUCTIONS FOREST-SAVER PICNIC TABLE (with backrest)

DOC REF: 417 ISSUE 02

Make sure the picnic table is assembled close to where it is to be installed, as it weighs approx 160kg.



DRIVE EXTENSION

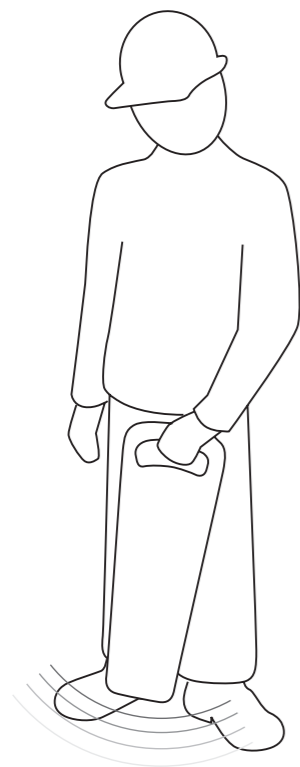
19mm socket spanner and hammer also required.

ANCHOR

RRAB RAMROD

## ASSEMBLING THE TABLE

Bolt the spacers between the End Frames using the M12 x 90 bolts, shearnuts and washers. Bolt the Table Top to the End Frames using M12 x 25 bolts, shearnuts and washers. **Tighten halfnuts only but do not shear shearnuts at this stage.** IF THE SEATS ARE NOT TO BE ANCHORED GO TO STEP 6.

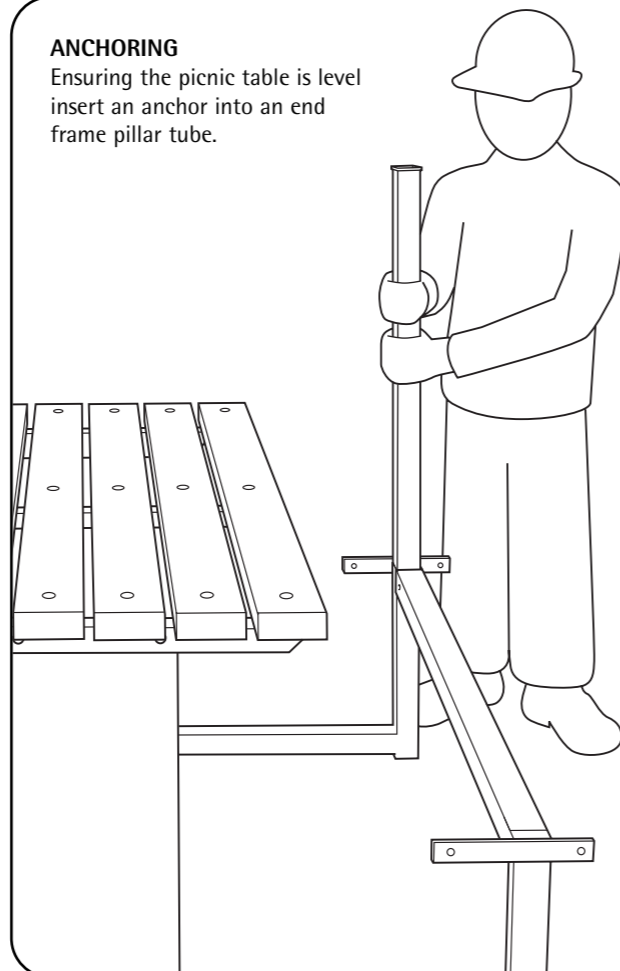


Always check for buried services

1

## ANCHORING

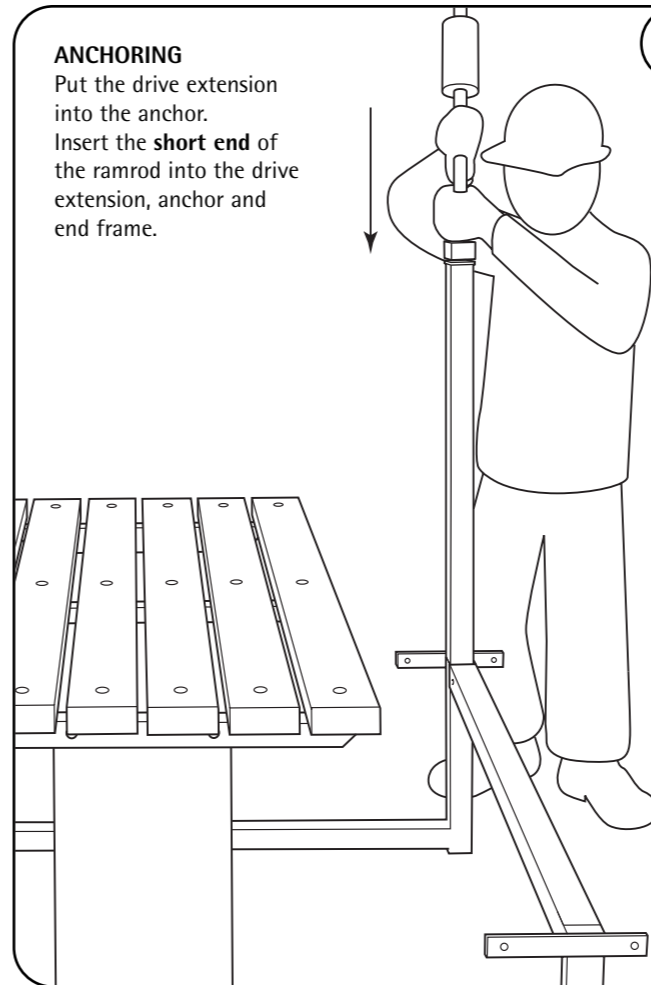
Ensuring the picnic table is level insert an anchor into an end frame pillar tube.



2

## ANCHORING

Put the drive extension into the anchor. Insert the **short end** of the ramrod into the drive extension, anchor and end frame.

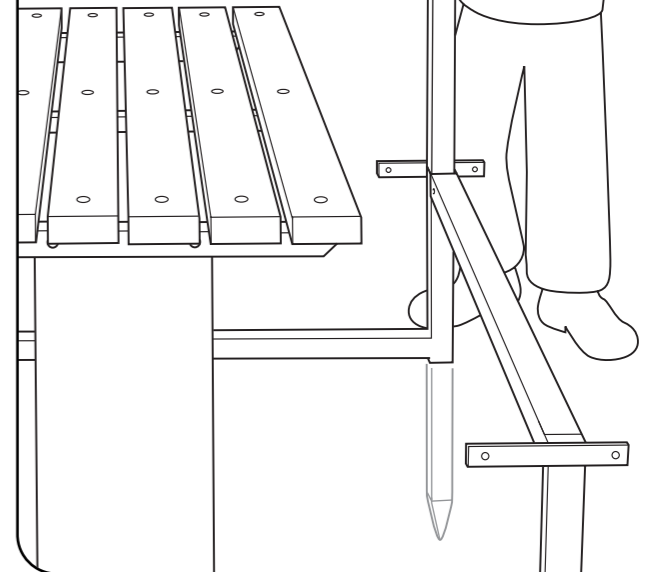


3

Lift and ram down the ramrod until the anchor collar meets the end frame.

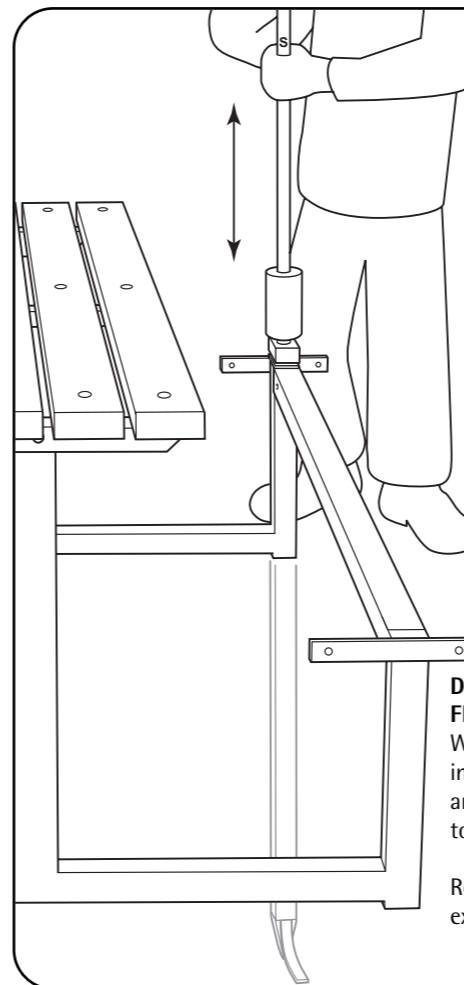
Repeat the operation for the diagonally opposite corner, or if using four anchors all corners.

Check that the picnic table is level.



4

5



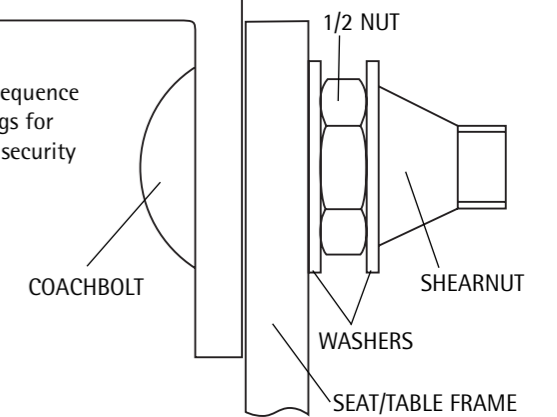
## DRIVING OUT THE FLUKES

Withdraw the ramrod and insert the **long end**. Lift and ram down the ramrod to drive out the flukes.

Remove ramrod and drive extension.

6

Assembly sequence of fittings for maximum security



## FINAL ASSEMBLY OF THE PICNIC TABLE

Bolt the Seat Assemblies to the End Frames using M12 x 25 coachbolts, washers, halfnuts and shearnuts. Check that the Picnic Table is standing square and level, tighten shearnuts until hexagon shears. IF NOT USING ROOTFAST® ANCHORS the table is now ready to be bolted down.

**Caution:** Shearing of the nuts can usually be sensed but we advise the wearing of gloves during tightening of nuts to prevent possible skinning of knuckles.



Earth Anchors Ltd  
15 Campbell Road, Croydon, Surrey CR0 2SQ, United Kingdom.  
Tel: 020 8684 9601 Fax: 020 8684 2230  
www.earth-anchors.com