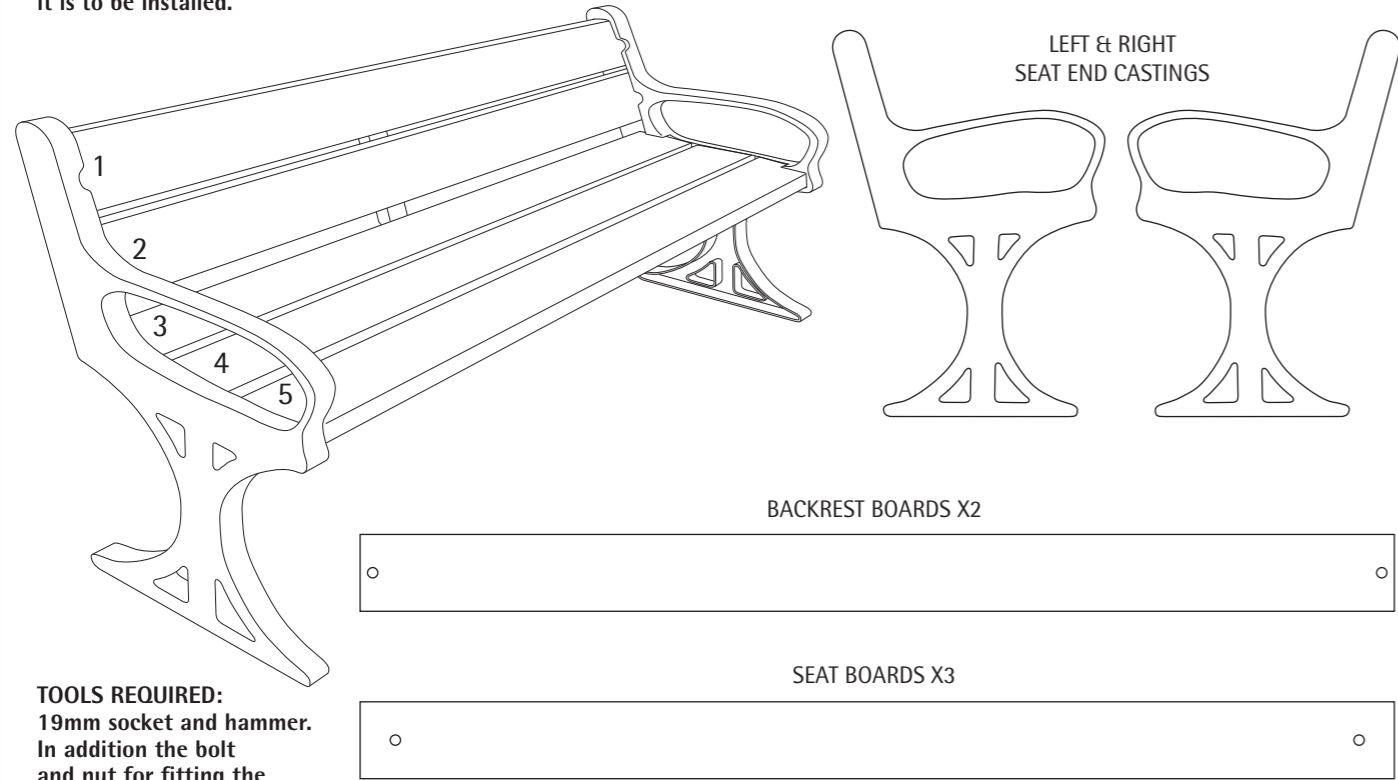


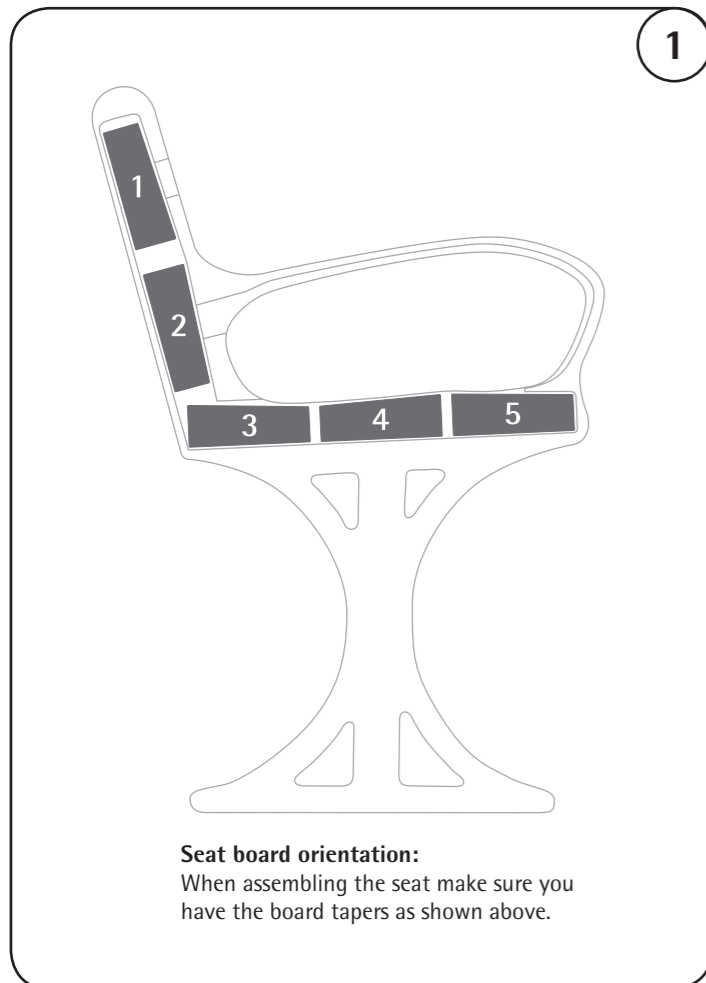
INSTALLATION INSTRUCTIONS CENTENARY SEAT ASSEMBLY

DOC REF: 500 ISSUE 02

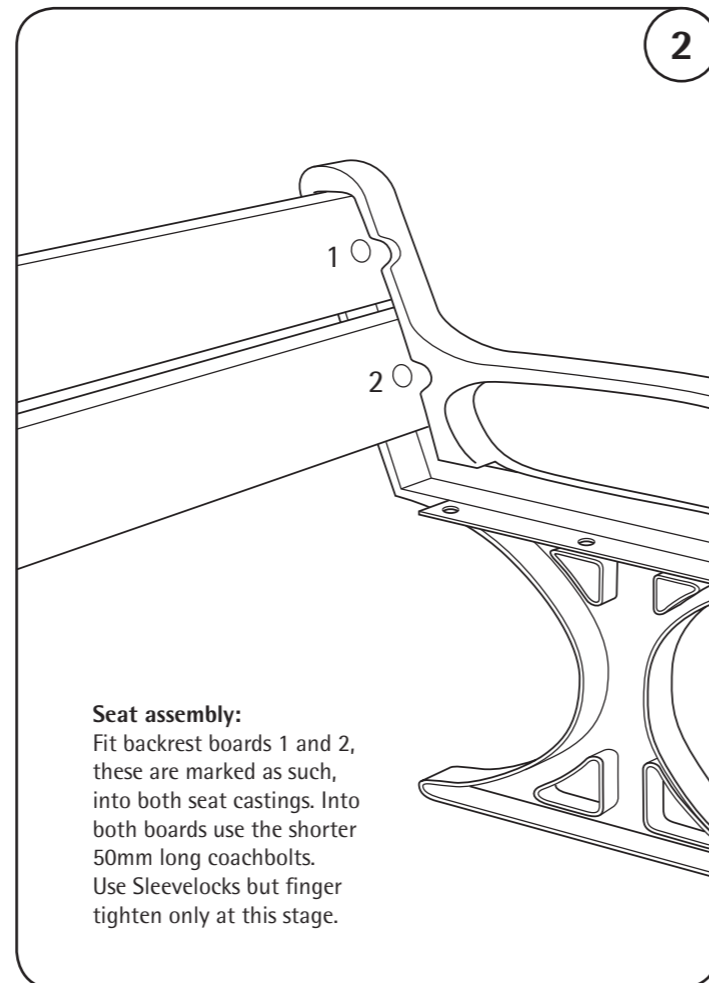
Make sure the seat is assembled close to where it is to be installed.



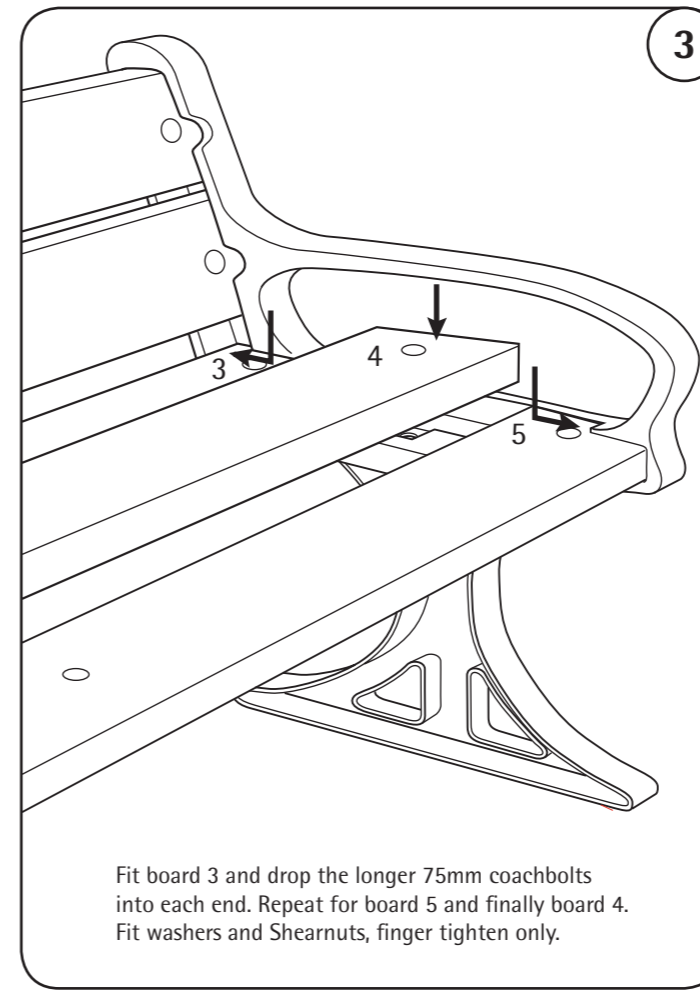
TOOLS REQUIRED:
19mm socket and hammer.
In addition the bolt and nut for fitting the Sleevelocks is required and is supplied with the seat.



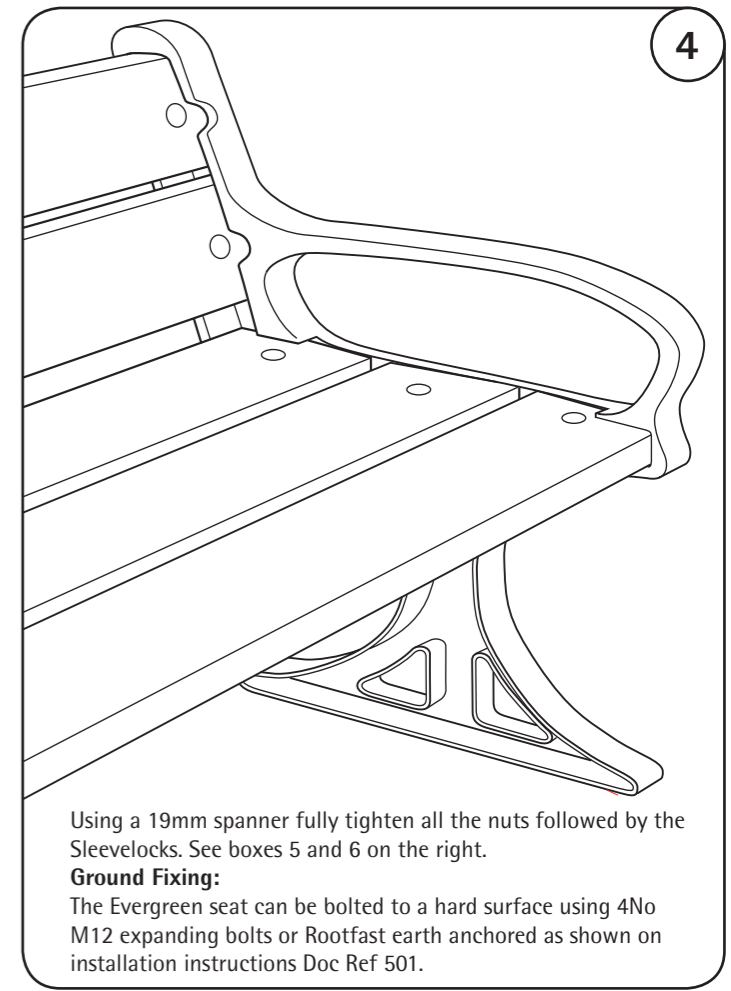
Seat board orientation:
When assembling the seat make sure you have the board tapers as shown above.



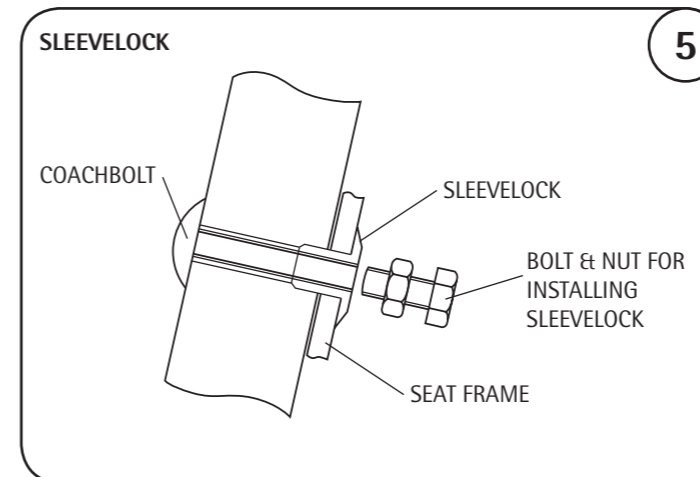
Seat assembly:
Fit backrest boards 1 and 2, these are marked as such, into both seat castings. Into both boards use the shorter 50mm long coachbolts. Use Sleevelocks but finger tighten only at this stage.



Fit board 3 and drop the longer 75mm coachbolts into each end. Repeat for board 5 and finally board 4. Fit washers and Shearnuts, finger tighten only.



Using a 19mm spanner fully tighten all the nuts followed by the Sleevelocks. See boxes 5 and 6 on the right.
Ground Fixing:
The Evergreen seat can be bolted to a hard surface using 4No M12 expanding bolts or Rootfast earth anchored as shown on installation instructions Doc Ref 501.



For added security we recommend that the threaded ends of the bolts, on the bottom boards only, are lightly swaged over with a hammer.