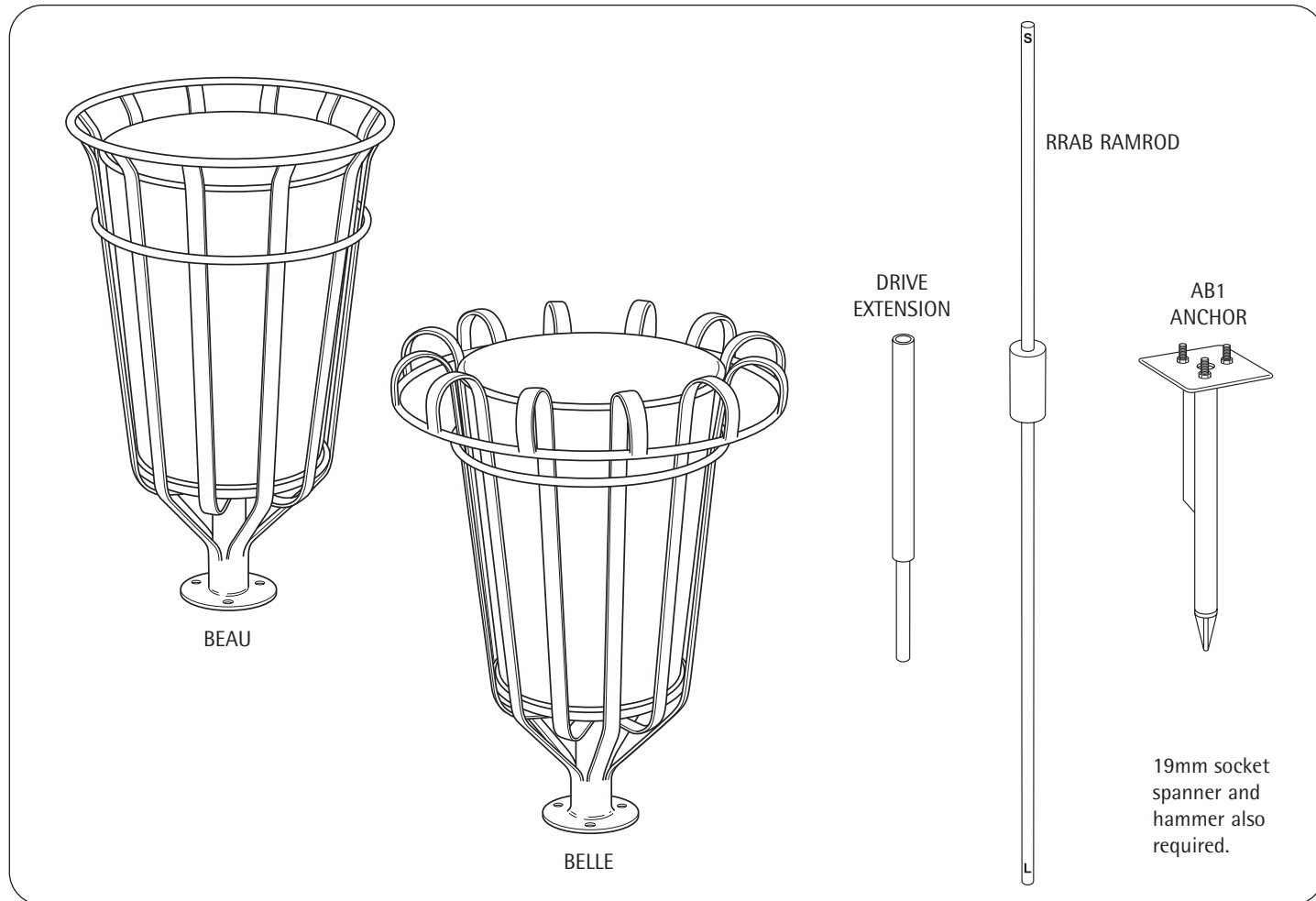


INSTALLATION INSTRUCTIONS BEAU & BELLE LITTER BINS

DOC REF: 408 ISSUE 01



1

Always check for buried services

2

Insert the drive extension into the anchor. Insert the **Short end** of the ramrod into the anchor through the drive extension.

3

ANCHORING
Turn upright and position the anchor where it is required. Lift and ram down the ramrod until the top plate is fully bedded on the ground.

4

DRIVING THE ANCHOR FLUKE
Reverse the ramrod and insert the **Long end**. Lift and ram down the ramrod to drive out the fluke.

Remove the ramrod and drive extension.

5

SECURING THE BIN
Locate the bin over the three bolts in the base plate.

Use supplied washers, under the bin baseplate, to ensure the bin is vertical.

6

FINAL ASSEMBLY OF THE BIN
Fit the bin over the three bolts in the anchor baseplate. Next fit another washer followed by a Shearnut onto each bolt. Shear the hexagon heads off the Shearnuts.

Caution: Shearing of the nuts can usually be sensed but we advise the wearing of gloves during tightening of nuts to prevent possible skinning of knuckles.