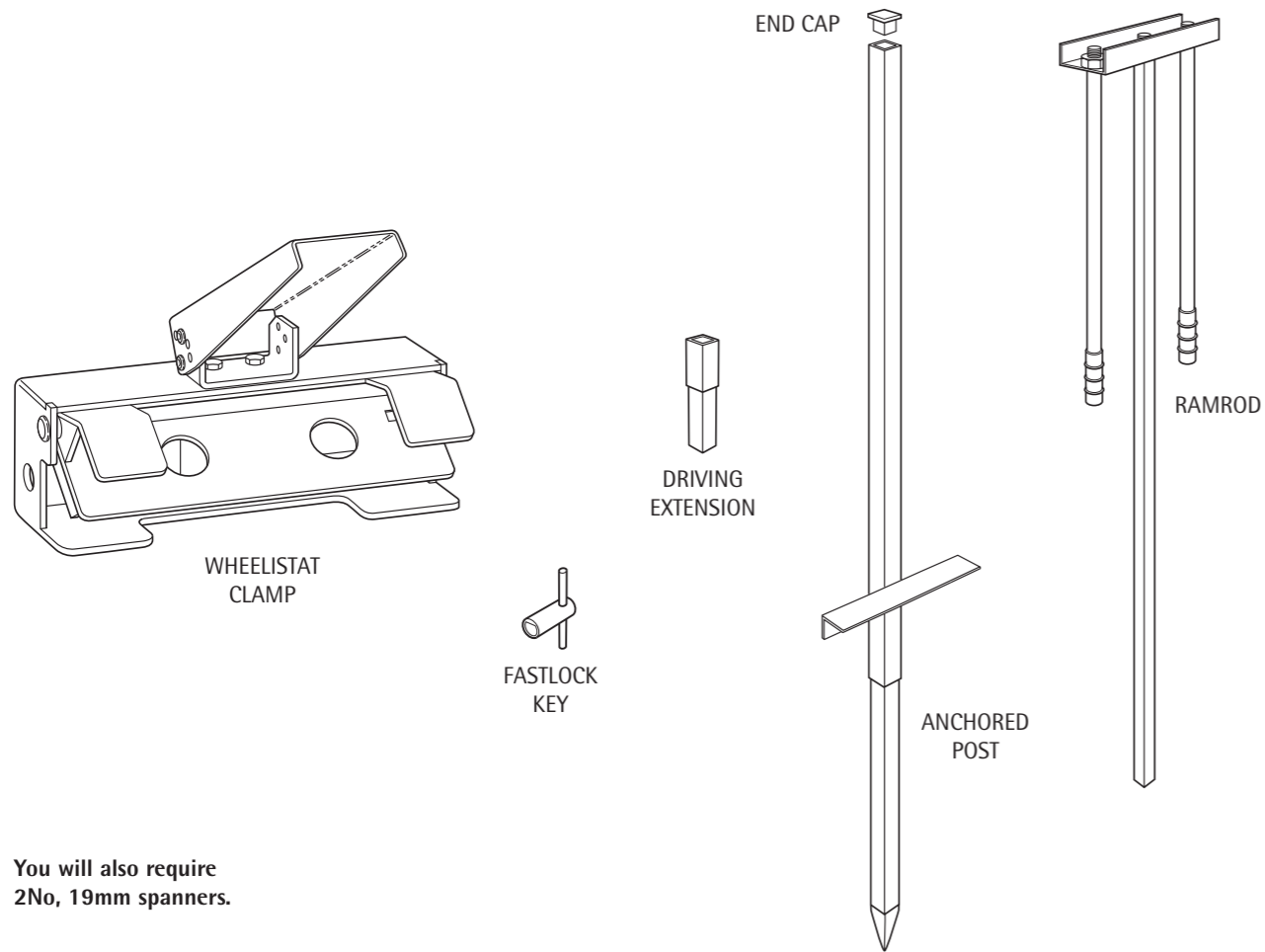
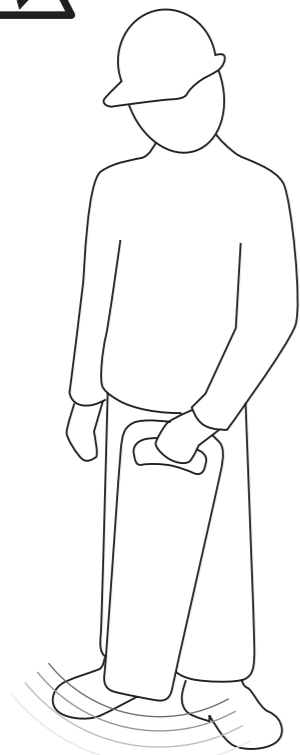


INSTALLATION INSTRUCTIONS WHEELISTAT (WITH ANCHORED POST)

DOC REF: 502 ISSUE 01



You will also require
2No, 19mm spanners.

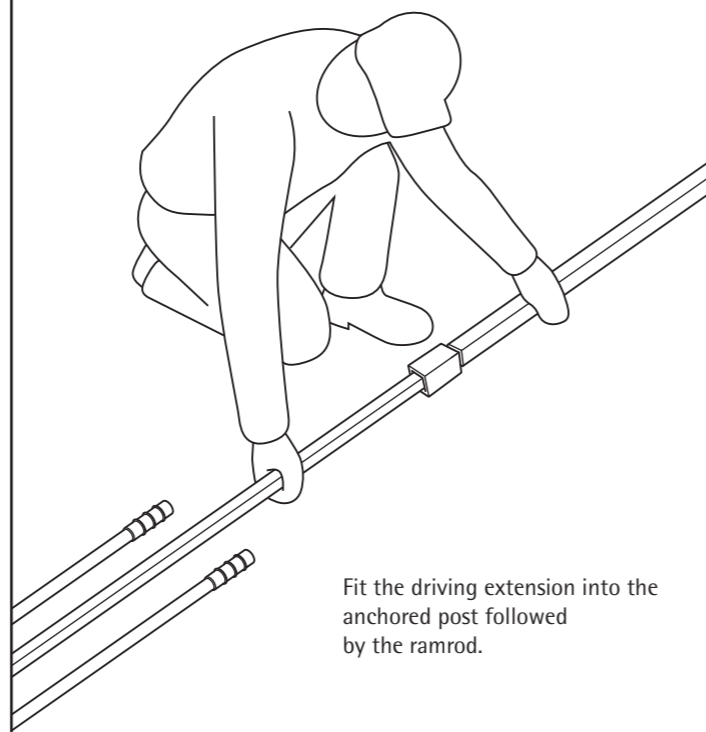


Always check for buried services

1

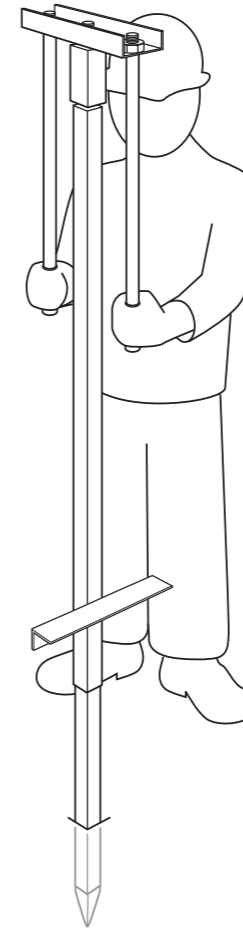
INSTALLING THE POST

2



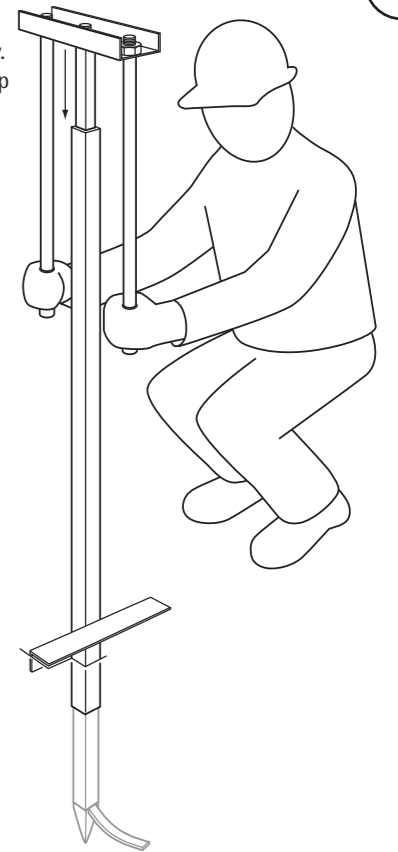
Fit the driving extension into the anchored post followed by the ramrod.

Drive the ramrod until the angle section is fully bedded into the ground. **Make sure the post remains vertical.**



3

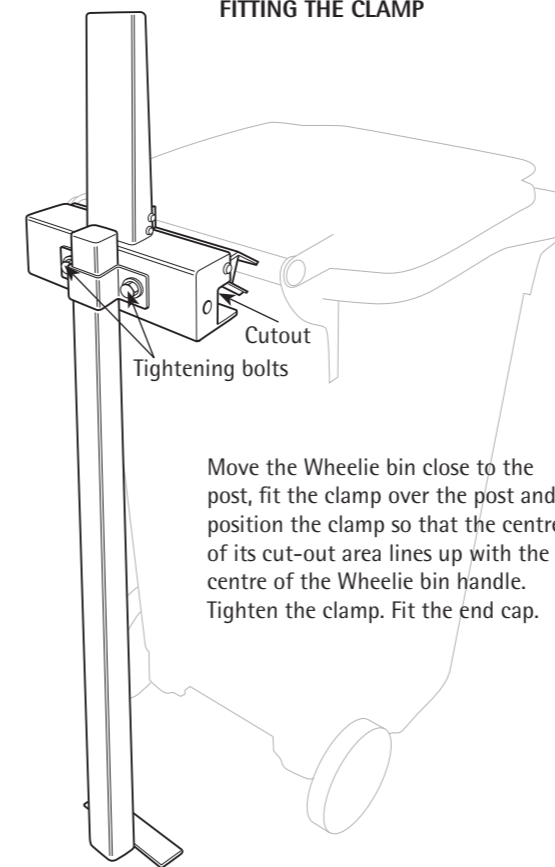
Remove ramrod and driving extension and replace the ramrod only. Drive down until the top channel of the ramrod touches the top of the post. Remove ramrod.



4

FITTING THE CLAMP

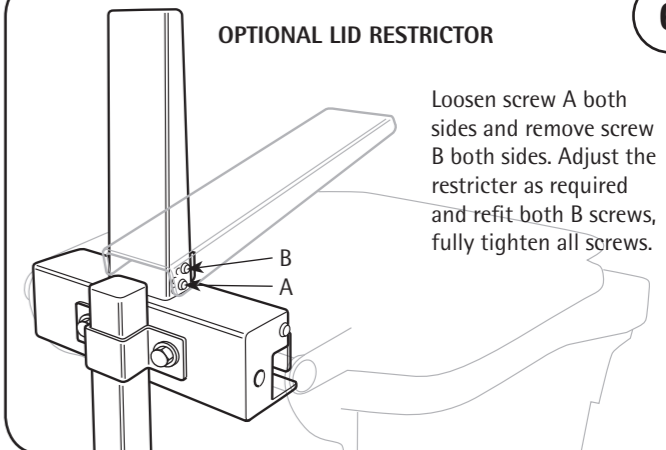
5



Move the Wheelie bin close to the post, fit the clamp over the post and position the clamp so that the centre of its cut-out area lines up with the centre of the Wheelie bin handle. Tighten the clamp. Fit the end cap.

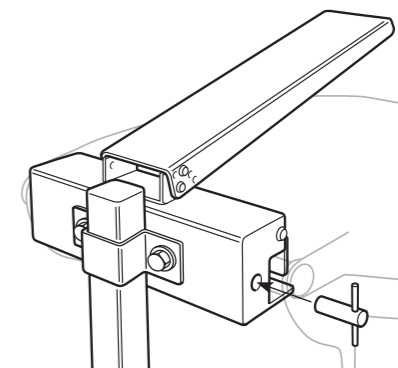
OPTIONAL LID RESTRICTOR

6



Loosen screw A both sides and remove screw B both sides. Adjust the restricter as required and refit both B screws, fully tighten all screws.

Once the Wheelistat is closed use the Fastlock key to unlock the mechanism and release the bin.



7



Earth Anchors Ltd
15 Campbell Road, Croydon, Surrey CR0 2SQ, United Kingdom.
Tel: 020 8684 9601 Fax: 020 8684 2230
www.earth-anchors.com